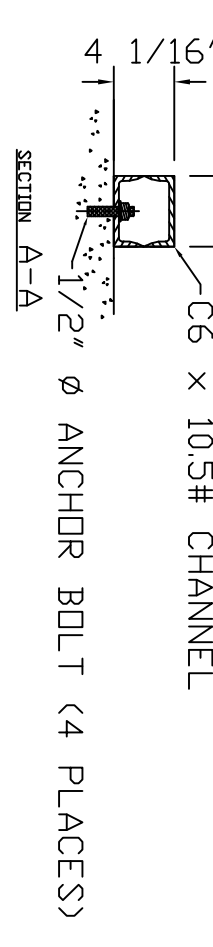
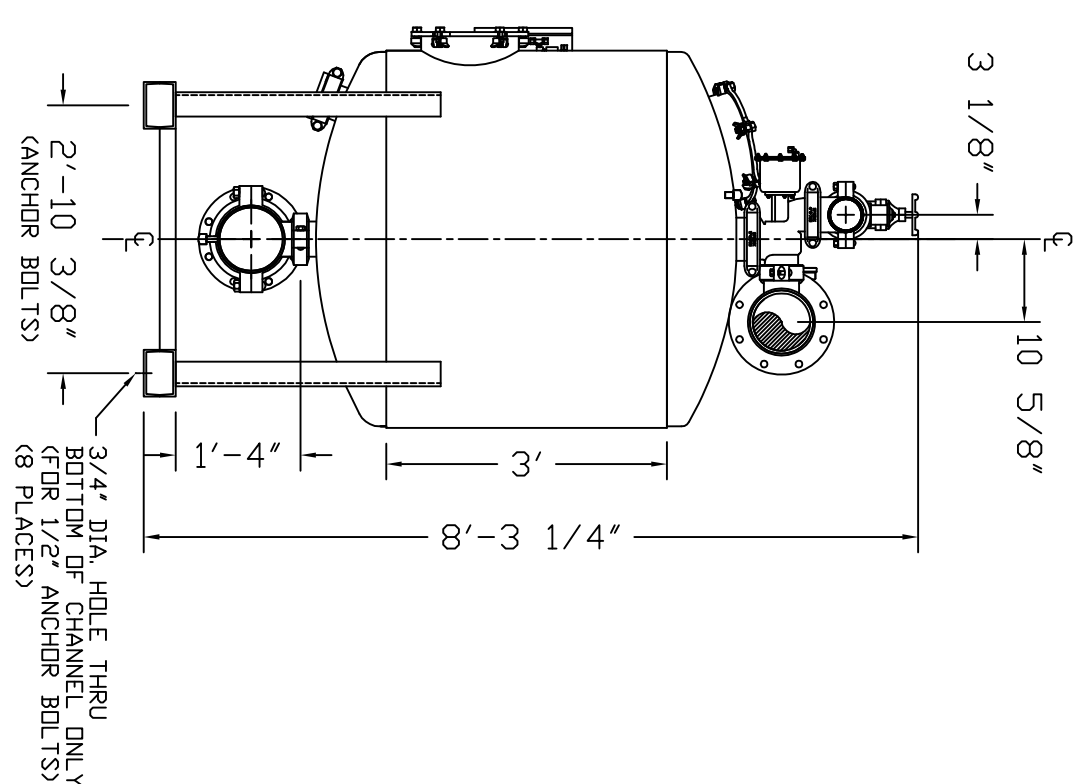
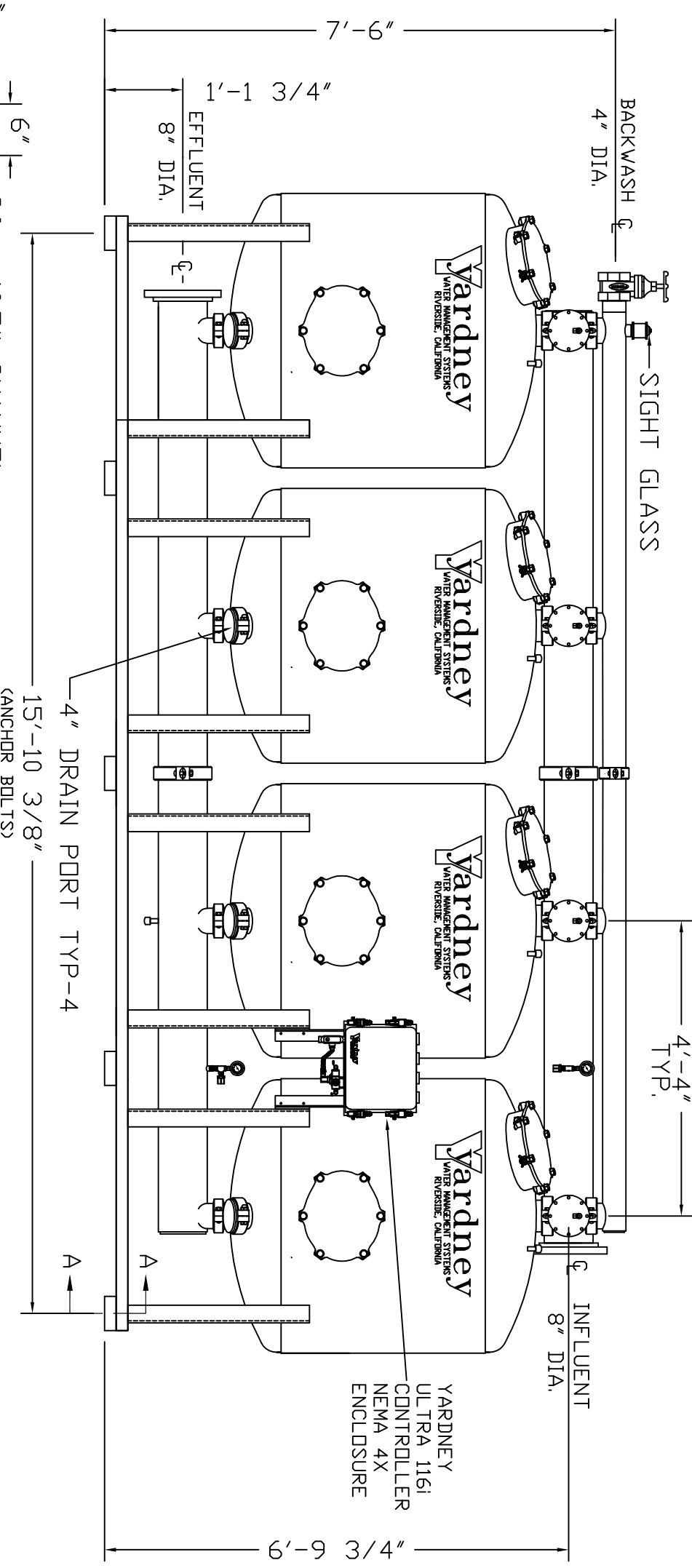
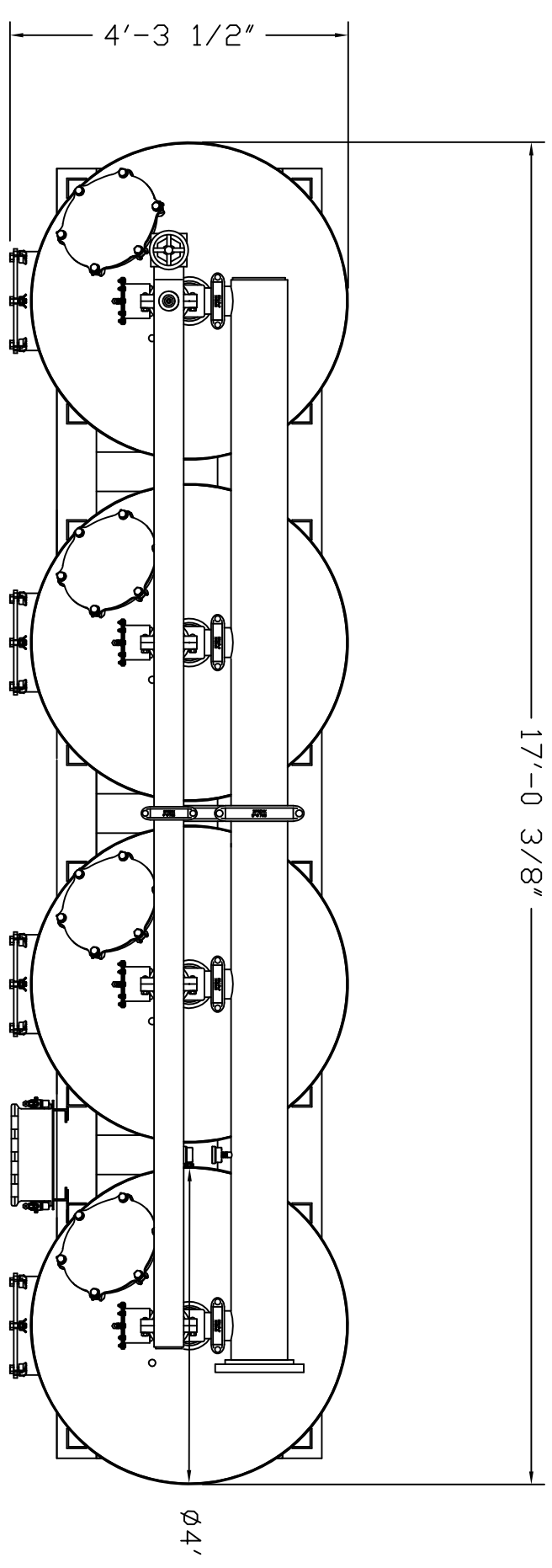


# IL 4836-4A

NOTES:

1. FLOW RATE DESIGN: 504-756 GPM, BACKWASH RATE: 15 GPM/FT<sup>2</sup>.
2. MAXIMUM WORKING PRESSURE: 80 PSI.
3. ELECTRICAL REQUIREMENTS:  
CONTROLLER 120V;  
SOLENOIDS 24VAC; FACTORY WIRED
4. AIR SUPPLY REQUIRED: 2 CFM @ 70 PSIG (MIN.).
5. MEDIA REQUIREMENT PER TANK:  
A. 1/2" x 3/4" CRUSHED ROCK: 7.0 CU. FT.  
B. 0.47mm CRUSHED SILICA SAND: 33.5 CU. FT.
6. WEIGHTS: (APPROX.)  
EQUIPMENT: 4,300 LBS (LESS MEDIA)  
MEDIA: 16,250 LBS  
OPERATION: 25,700 LBS



<p>THIS DRAWING, INCLUDING THE INFORMATION IT CONTAINS, IS CONFIDENTIAL PROPERTY OF YARDNEY WATER MANAGEMENT SYSTEMS, INC. IT IS SUBMITTED ONLY IN CONNECTION WITH THE TRANSACTION TO WHICH IT PERTAINS AND MUST NOT BE USED IN ANY OTHER MANNER DETRIMENTAL TO THE INTERESTS OF YARDNEY WATER MANAGEMENT. THE DRAWING IS NOT TO BE COPIED AND MUST BE RETURNED UPON REQUEST. COPYRIGHT YARDNEY WATER MANAGEMENT SYSTEMS, 1993</p>		<p>APPROVALS: DATE DRAWN BY: DTD CHECKED BY: DTD DESIGNED BY: DTD</p>	
<p>WELD TABS ON MANWAY RINGS</p>		<p>SCALE: NONE</p>	
<p>ADDED 4" DRAIN PORT</p>		<p>SIZE: DRAWING NO. 9500483604</p>	
<p>ADDED SIGHT GLASS</p>		<p>SYSTEM: IL</p>	
<p>REVISIONS</p>		<p>SHEET 1 OF 1</p>	

DO NOT SCALE DWG.