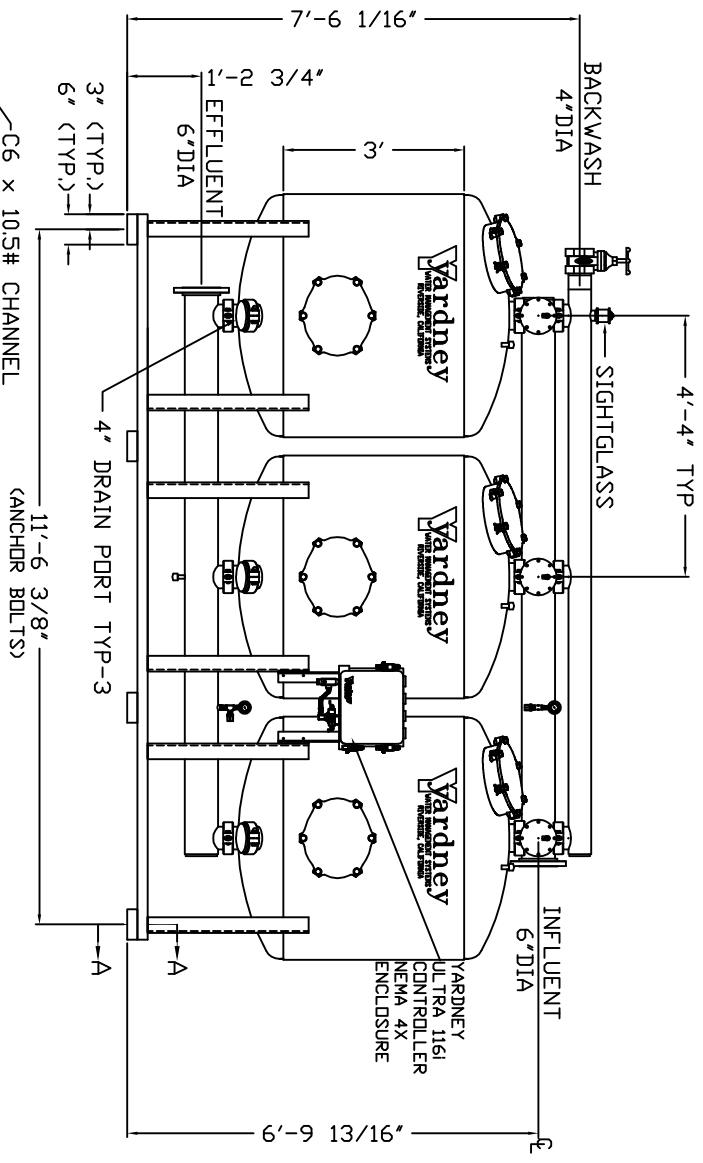
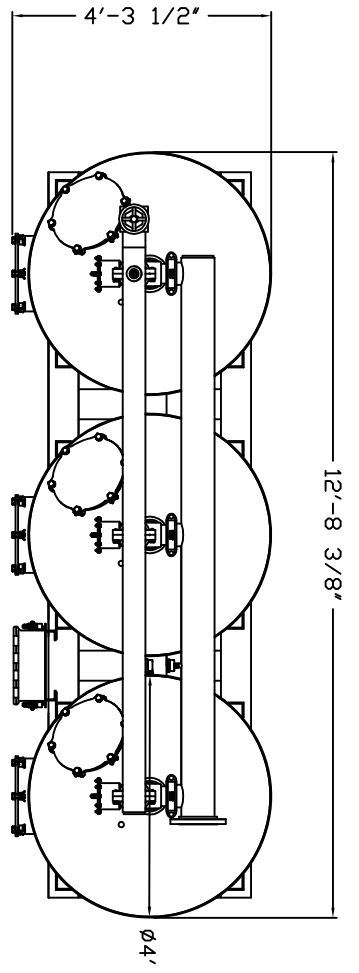
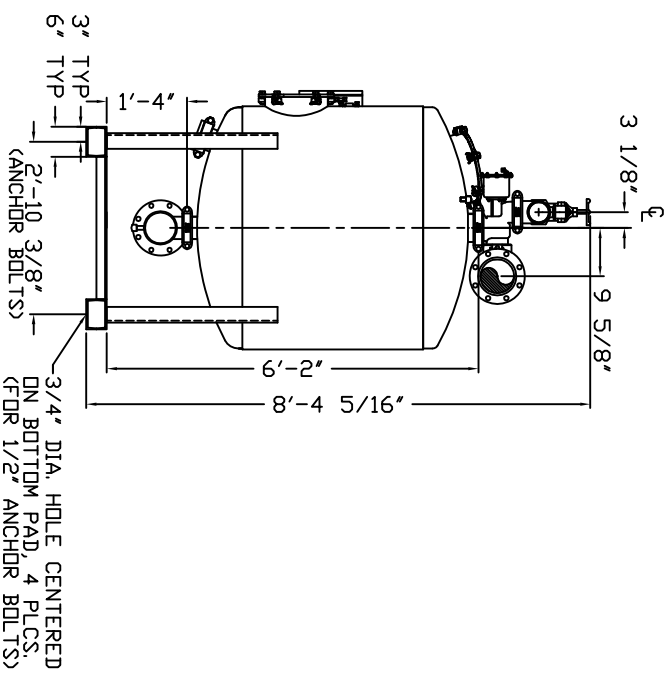


IL4836-3A



NOTES:

1. FLOW RATE DESIGN: 378-567 GPM. BACKWASH RATE: 15 GPM/FT².
2. MAXIMUM WORKING PRESSURE: 80 PSI.
3. ELECTRICAL REQUIREMENTS: CONTROLLER 120V, SOLENOIDS 24VAC, FACTORY WIRED AIR SUPPLY REQUIRED: 2 CFM @ 70 PSIG (MIN.).
4. MEDIA REQUIREMENT PER TANK:
 - A. 1/2"x3/4" CRUSHED ROCK: 7.0 CU. FT.
 - B. 0.47mm CRUSHED SILICA SAND: 33.5 CU. FT.
6. WEIGHTS: (APPROX.)
 - EQUIPMENT: 2,895 LBS (LESS MEDIA)
 - MEDIA: 12,200 LBS
 - OPERATION: 18,200 LBS

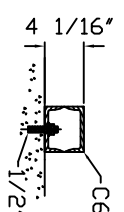


THIS DRAWING, INCLUDING THE INFORMATION IT CONTAINS, IS THE PROPERTY OF YARDNEY. IT IS TO BE USED ONLY IN CONNECTION WITH THE TRANSACTIONS TO WHICH IT PERTAINS AND MUST NOT BE REPRODUCED, COPIED, EITHER WHOLLY OR IN PART, OR TRANSMITTED IN ANY FORM OR BY ANY MEANS, ELECTRONIC OR MECHANICAL, INCLUDING PHOTOCOPYING, RECORDING, OR BY ANY INFORMATION STORAGE AND RETRIEVAL SYSTEM, WITHOUT THE WRITTEN PERMISSION OF YARDNEY. YARDNEY ASSUMES NO LIABILITY FOR DAMAGES OF ANY KIND, INCLUDING CONSEQUENTIAL DAMAGES, ARISING FROM THE USE OF THIS DRAWING.

Yardney
 WATER TREATMENT SYSTEMS
 WATER TREATMENT DIVISION

DO NOT SCALE DWG.

REV	DATE	BY	APP	REVISIONS
5	01/17/16	APP	APP	VALVE TAGS ON MANWAY DEVICES
4	01/17/16	APP	APP	ADDED 4\"/>
3	11-07-15	APP	APP	TYP MANWAY CPG TO 6 BOLT
2	10-03-15	APP	APP	CORRECTED GPM FLOW RATES
1	9-05-15	APP	APP	STANDARDIZED NOTES



4 1/16"
 1/2" ϕ ANCHOR BOLT (4 PLACES)

IL 4836-3A
 FILTER SYSTEM

9500483603