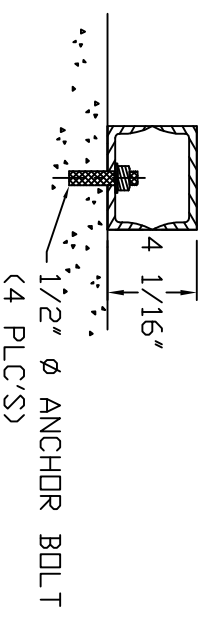
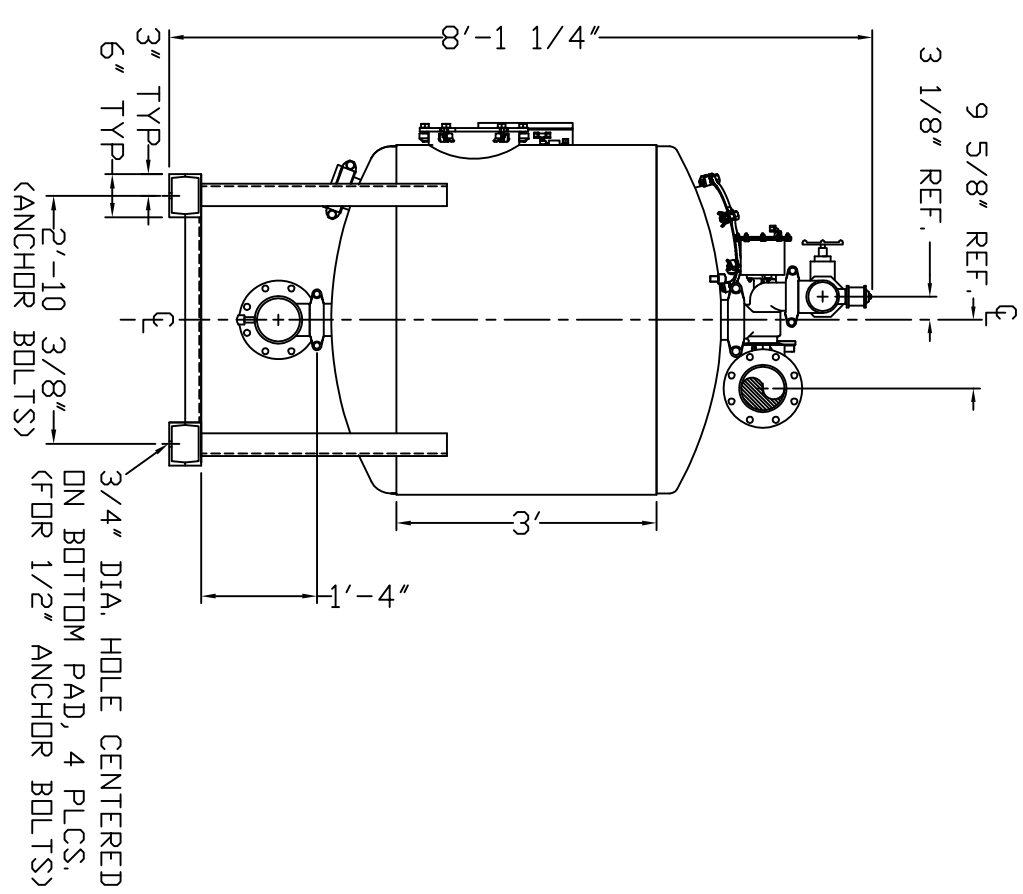
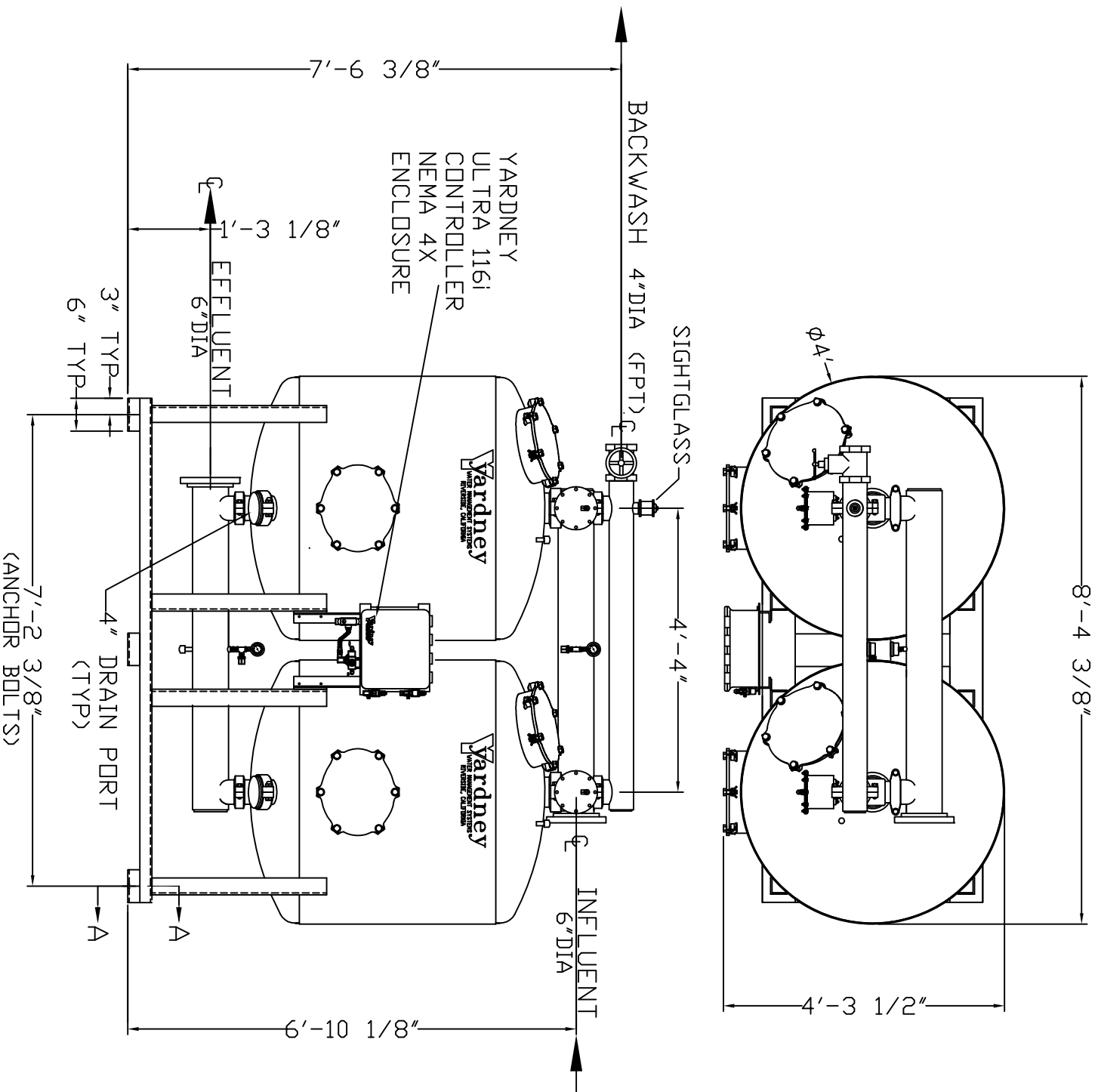


IL 4836-2A

NOTES:

1. FLOW RATE DESIGN: 252-378 GPM.
BACKWASH RATE: 15 GPM/FT².
2. MAXIMUM WORKING PRESSURE: 80 PSI.
3. ELECTRICAL REQUIREMENTS:
CONTROLLER 120V; FACTORY WIRED
SOLENOIDS 24VAC; FACTORY WIRED
4. AIR SUPPLY REQUIRED: 2 CFM @ 70 PSIG (MIN.).
5. MEDIA REQUIREMENT PER TANK:
A. 1/2"x3/4" CRUSHED ROCK: 7.0 CU. FT.
B. 0.47mm CRUSHED SILICA SAND: 33.5 CU. FT.
6. WEIGHTS: (APPROX.)
EQUIPMENT: 1,970 LBS (LESS MEDIA)
MEDIA: 8,125 LBS
OPERATION: 12,200 LBS



SECTION A-A

THIS DRAWING, INCLUDING THE INFORMATION IT CONTAINS, IS CONFIDENTIAL, PROPRIETARY AND IS THE PROPERTY OF YARDNEY WATER MANAGEMENT SYSTEMS, INC. IT IS SUBMITTED ONLY IN CONNECTION WITH THE TRANSACTION TO WHICH IT PERTAINS AND MUST NOT BE REPRODUCED OR TRANSMITTED IN ANY FORM OR BY ANY MEANS, ELECTRONIC OR MECHANICAL, INCLUDING PHOTOCOPYING, RECORDING, OR BY ANY INFORMATION STORAGE AND RETRIEVAL SYSTEM, WITHOUT THE WRITTEN PERMISSION OF YARDNEY WATER MANAGEMENT SYSTEMS, INC. ANY UNAUTHORIZED USE AND REPRODUCTION IS PROHIBITED. YARDNEY WATER MANAGEMENT SYSTEMS, INC. 1999

APPROVALS/DATE	DATE	BY	DATE	BY	DATE
D	9-12	APP	9-12	APP	9-12
C	11-09	APP	11-09	APP	11-09
B	10-05	APP	10-05	APP	10-05
A	9-05	APP	9-05	APP	9-05

DO NOT SCALE DRAW

Yardney
WATER MANAGEMENT SYSTEMS
RIVERSIDE, CALIFORNIA

IL 4836-2A
FILTER SYSTEM

SIZE: DRAWING NO. 9500483602
SCALE: SYSTEM IL

REV: D