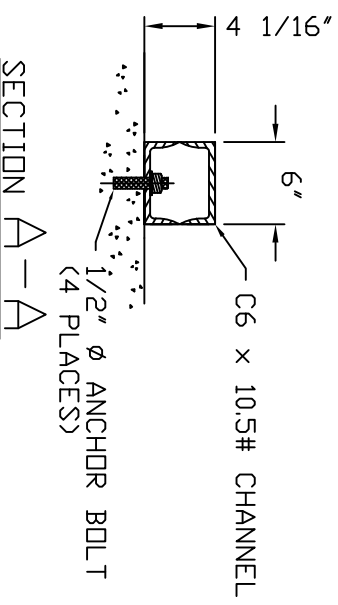
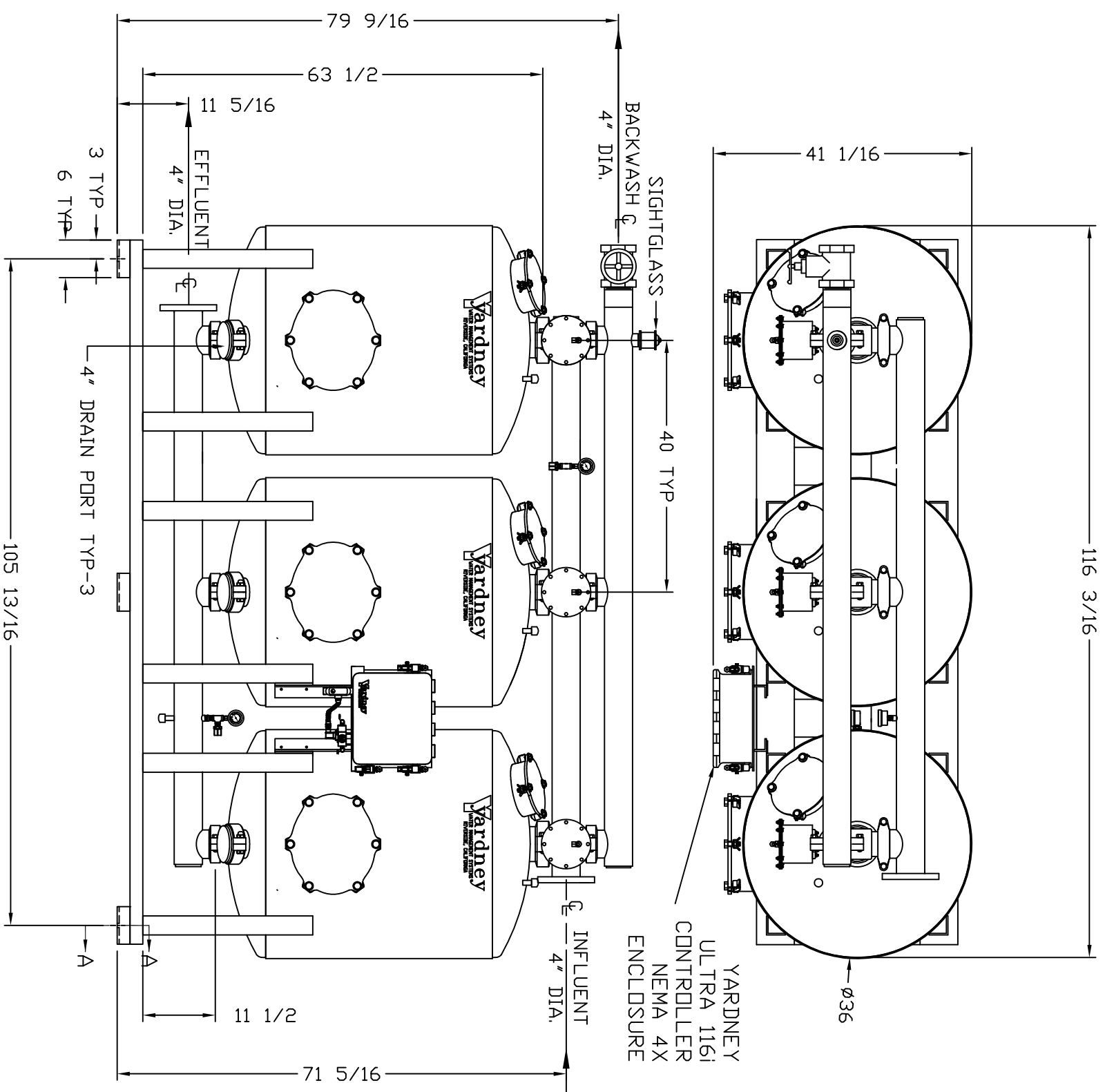
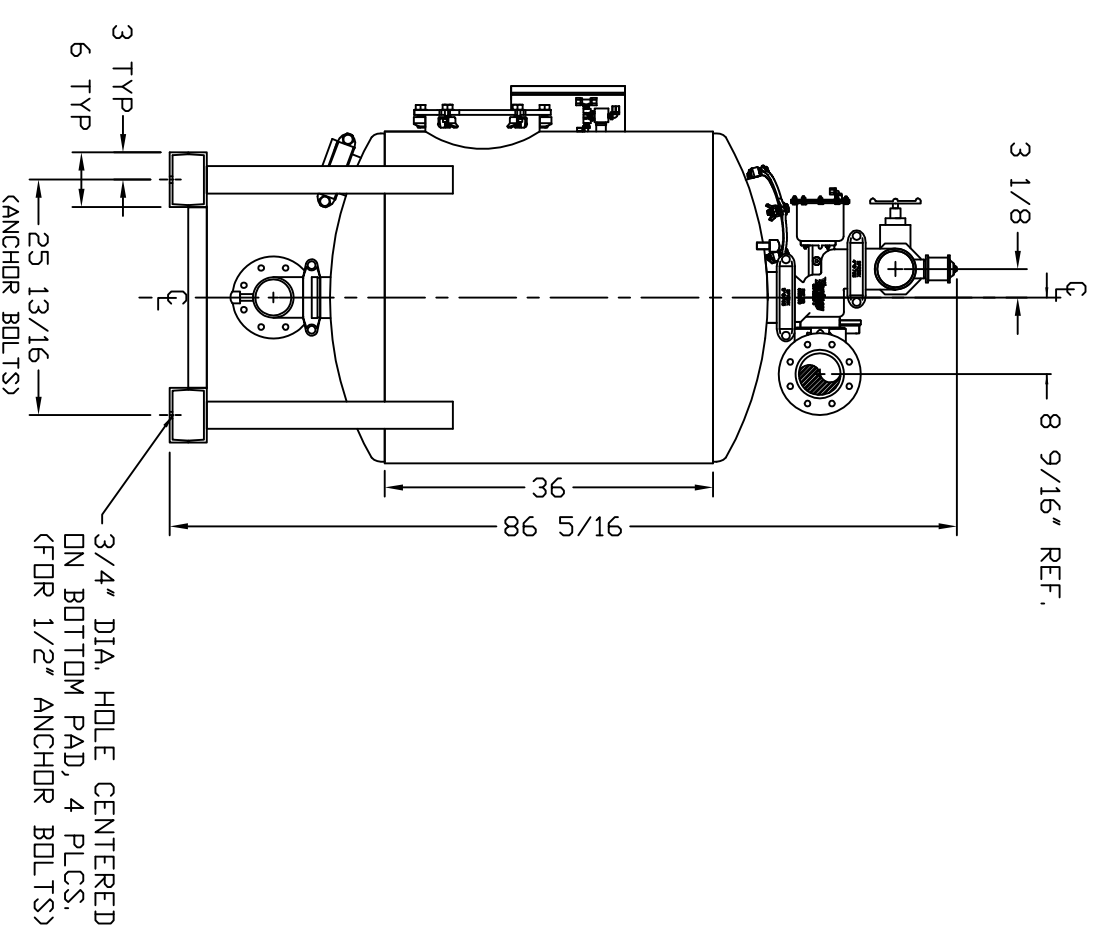


IL 3636-3A



NOTES:

1. FLOW RATE DESIGN: 213-320 GPM, BACKWASH RATE: 15 GPM/FT².
2. MAXIMUM WORKING PRESSURE: 100 PSI.
3. ELECTRICAL REQUIREMENTS: CONTROLLER 120V; SOLENOIDS 24VAC; FACTORY WIRED AIR SUPPLY REQUIRED: 2 CFM @ 70 PSIG (MIN.).
4. MEDIA REQUIREMENT PER TANK: A. 1/2"x3/4" CRUSHED ROCK: 4.0 CU. FT. B. 0.47mm CRUSHED SILICA SAND: 17.0 CU. FT.
5. WEIGHTS: (APPROX.) EQUIPMENT: 1,940 LBS (LESS MEDIA) MEDIA: 6,300 LBS OPERATION: 9,900 LBS



THIS DRAWING, INCLUDING THE INFORMATION IT CONTAINS, IS CONFIDENTIAL, PROPRIETARY, AND IS THE PROPERTY OF YARDNEY WATER MANAGEMENT, INC. IT IS SUBMITTED ONLY IN CONNECTION WITH THE TRANSACTION TO WHICH IT PERTAINS AND MUST NOT BE USED IN ANY OTHER MANNER DETRIMENTAL TO THE INTERESTS OF YARDNEY WATER MANAGEMENT. THE DRAWING IS NOT TO BE COPIED AND MUST BE RETURNED UPON REQUEST YARDNEY WATER MANAGEMENT SYSTEMS, 1993.

SYMBOL	DESCRIPTION	DATE	BY	DATE	APP	SCALE	USED
D	WELD TABS ON MANWAY RINGS	9-12	APP	9-12	APP	AS SHOWN	6/26/97
C	ADDED 4" DRAIN PORT	11-09	APP	11-09	APP	AS SHOWN	
B	CORRECTED GPM FLOW RATES	10-05	APP	10-05	APP	AS SHOWN	
A	STANDARDIZED NOTES	9-05	APP	9-05	APP	AS SHOWN	
SYM	REVISIONS						

APPROVALS DATE

Yardney WATER MANAGEMENT SYSTEMS RIVERSIDE, CALIFORNIA

DO NOT SCALE DWG.

IL 3636-3A

FILTER SYSTEM

SIZE DRAWING NDI 9500363603

SCALE NONE DWG DIR SYSTEM IL SHEET 1 OF 1