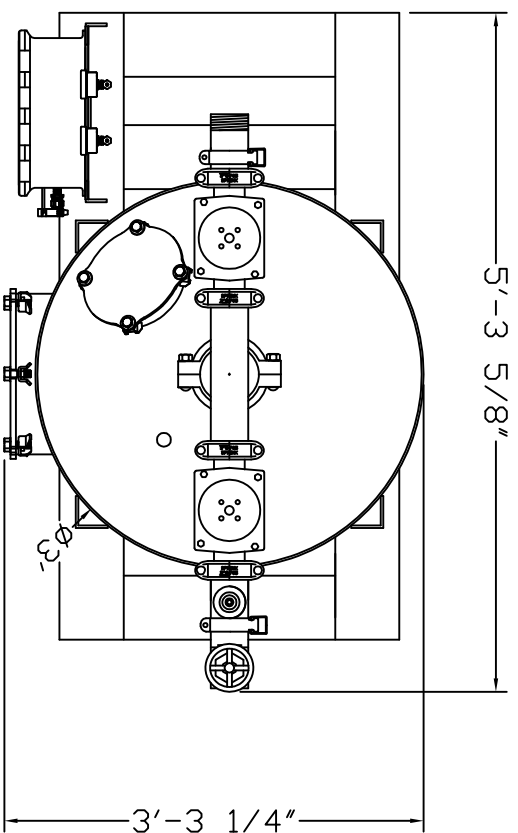
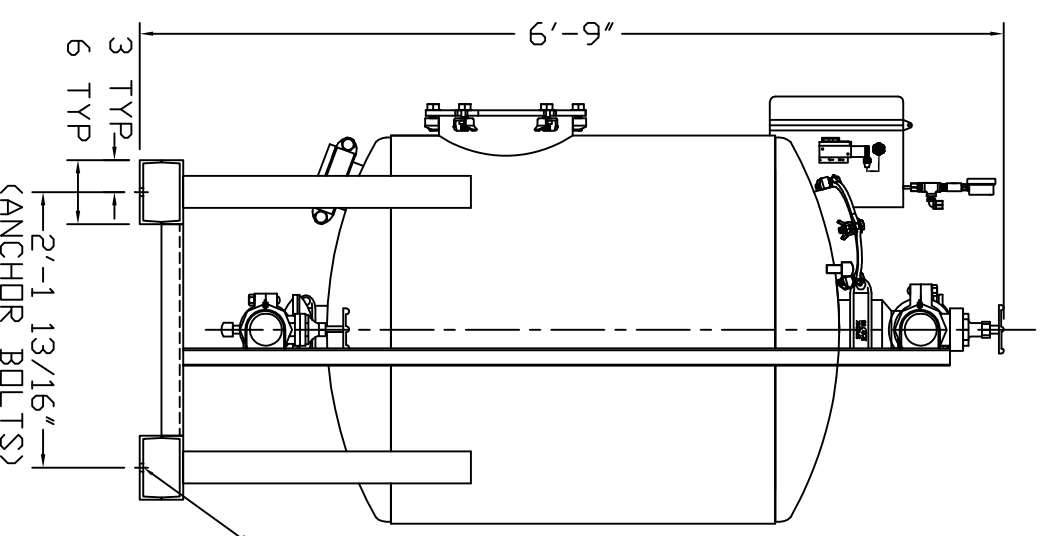
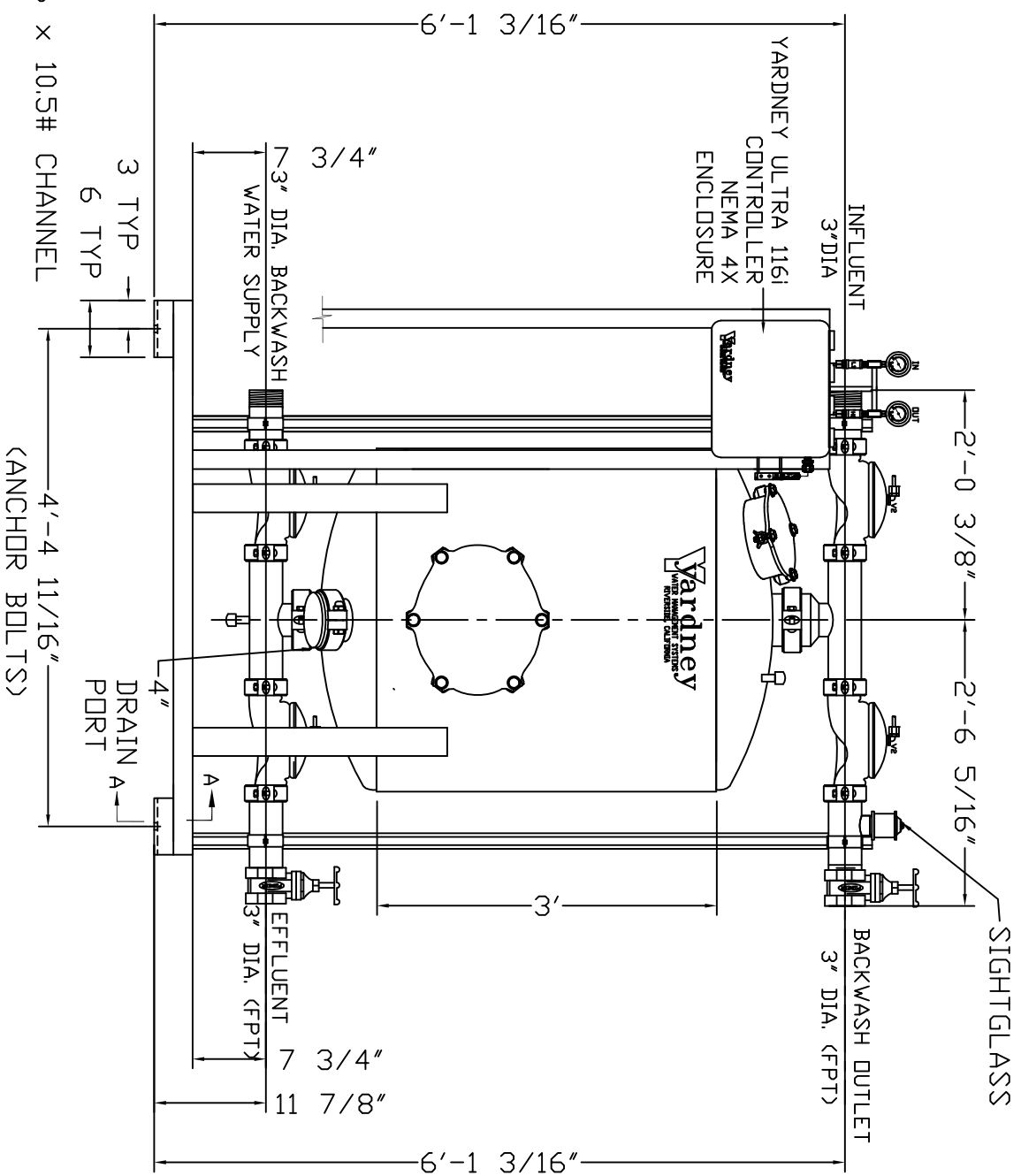


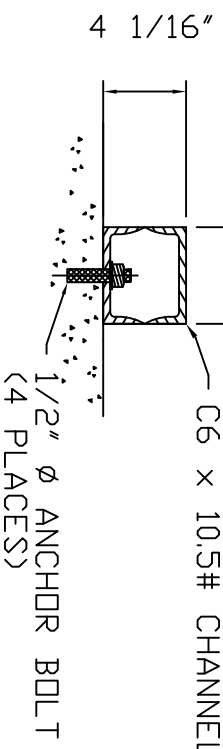
IL 3636-1A



- NOTES:
1. FLOW RATE DESIGN: 71-107 GPM.
BACKWASH RATE: 15 GPM/FT².
 2. MAXIMUM WORKING PRESSURE: 100 PSI.
 3. ELECTRICAL REQUIREMENTS:
CONTROLLER 120V;
SOLENOIDS 24VAC; FACTORY WIRE
AIR SUPPLY REQUIRED: 2 CFM @ 70 PSIG (MIN.).
 4. AIR SUPPLY REQUIRED: 2 CFM @ 70 PSIG (MIN.).
 5. MEDIA REQUIREMENT PER TANK:
A. 1/2"x3/4" CRUSHED ROCK: 4.0 CU. FT.
B. 0.47mm CRUSHED SILICA SAND 17.0 CU. FT.
 6. WEIGHTS: (APPROX.)
EQUIPMENT: 695 LBS (LESS MEDIA)
MEDIA: 2,150 LBS
OPERATION: 3,400 LBS



3/4" DIA. HOLE CENTERED
ON BOTTOM PAD, 4 PLCS.
(FOR 1/2" ANCHOR BOLTS)



SECTION A-A

THIS DRAWING, INCLUDING THE INFORMATION IT CONTAINS, IS CONFIDENTIAL, PROPRIETARY, AND NOT TO BE REPRODUCED OR TRANSMITTED IN ANY FORM OR BY ANY MEANS, ELECTRONIC OR MECHANICAL, INCLUDING PHOTOCOPYING, RECORDING, OR BY ANY INFORMATION STORAGE AND RETRIEVAL SYSTEM, WITHOUT THE WRITTEN PERMISSION OF YARDNEY WATER MANAGEMENT SYSTEMS, INC. ANY REPRODUCTION OR TRANSMISSION OF THIS DRAWING WITHOUT THE WRITTEN PERMISSION OF YARDNEY WATER MANAGEMENT SYSTEMS, INC. IS STRICTLY PROHIBITED. THE DRAWING IS NOT TO BE CORRECTED OR CHANGED IN ANY MANNER WITHOUT THE WRITTEN PERMISSION OF YARDNEY WATER MANAGEMENT SYSTEMS, INC. ANY CHANGES TO THIS DRAWING MUST BE RETURNED WITHIN 10 BUSINESS DAYS OF THE DATE OF RECEIPT TO THE ORIGINAL DRAWING. ANY CHANGES TO THIS DRAWING MUST BE RETURNED WITHIN 10 BUSINESS DAYS OF THE DATE OF RECEIPT TO THE ORIGINAL DRAWING.

REV.	DATE	BY	DESCRIPTION								
A	09-05-09	APP	DOOR VALVE LENGTH INCORRECT WAS 9 13/16\"/>								
B	09-05-09	APP	STANDARDIZED NOTES								
C	10-05-09	APP	CORRECTED GPM FLOW RATES								
D	10-07-09	APP	ADDED SIGHTGLASS								
E	11-09-09	APP	ADDED 4\"/> <tr> <td>F</td> <td>04-11-10</td> <td>APP</td> <td>CL. FT. OF 47mm CRUSHED SILICA SAND WAS 10.00</td> </tr> <tr> <td>G</td> <td>09-12-10</td> <td>APP</td> <td>WELD TABS ON MANWAY RINGS</td> </tr>	F	04-11-10	APP	CL. FT. OF 47mm CRUSHED SILICA SAND WAS 10.00	G	09-12-10	APP	WELD TABS ON MANWAY RINGS
F	04-11-10	APP	CL. FT. OF 47mm CRUSHED SILICA SAND WAS 10.00								
G	09-12-10	APP	WELD TABS ON MANWAY RINGS								

Yardney WATER MANAGEMENT SYSTEMS, INC. RIVERSIDE, CALIFORNIA

IL 3636-1A
TANK SYSTEM

SCALE: -
PAGE: 001
SYSTEMS\IL\3636\1A