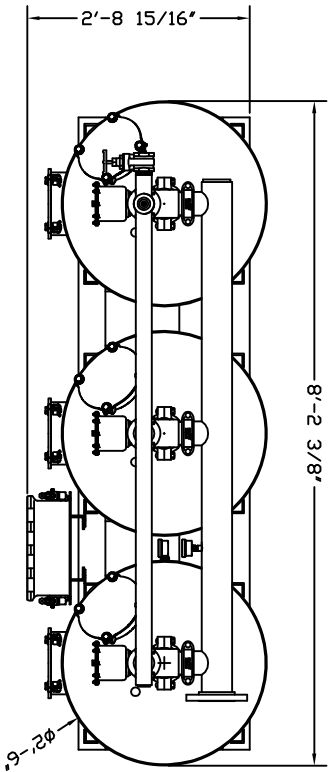
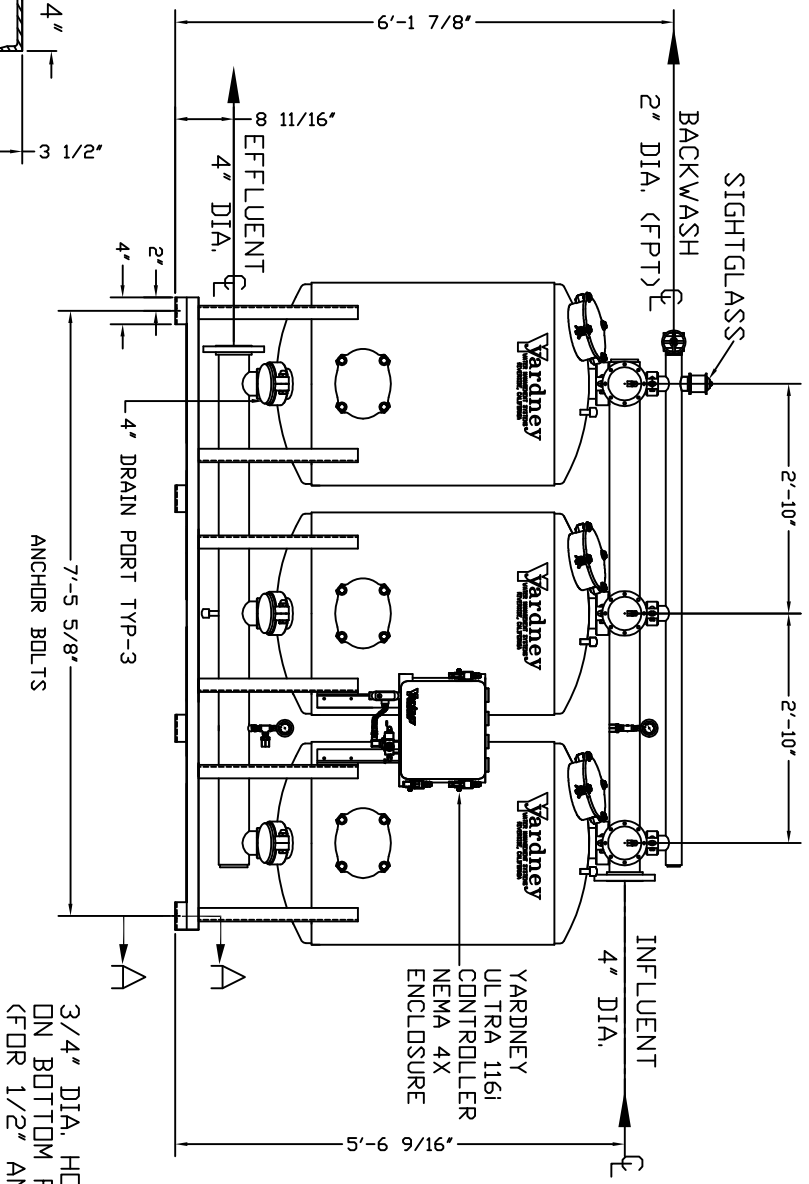


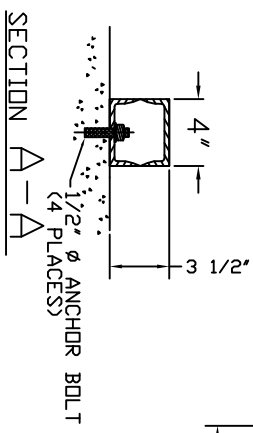
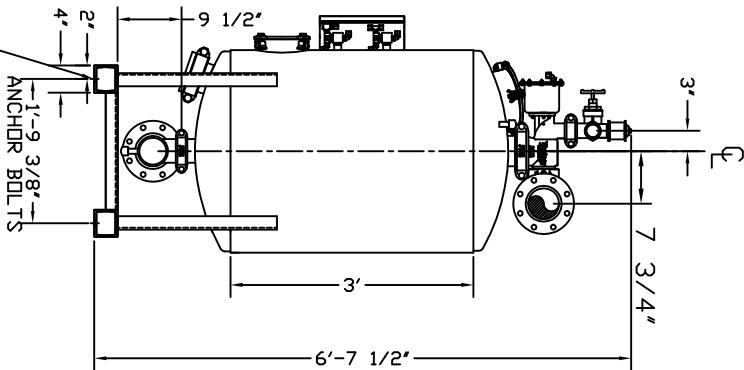
# IL 3036-3A



- NOTES:
1. FLOW RATE DESIGN: 147-221 GPM, BACKWASH RATE: 15 GPM/FT<sup>2</sup>.
  2. MAXIMUM WORKING PRESSURE: 100 PSI.
  3. ELECTRICAL REQUIREMENTS:  
CONTROLLER 120V,  
SOLENOIDS 24VAC, FACTORY WIRED  
AIR SUPPLY REQUIRED: 2 CFM @ 70 PSIG (MIN.).
  4. MEDIA REQUIREMENT PER TANK:  
A. 1/2"x3/4" CRUSHED ROCK  
B. 0.47mm CRUSHED SILICA SAND  
2.5 CU. FT. .
  5. WEIGHTS (APPROX.)  
EQUIPMENT: 1,340 LBS (LESS MEDIA)  
MEDIA: 4,350 LBS  
OPERATION: 6,850 LBS



3/4" DIA. HOLE CENTERED ON BOTTOM PAD, 4 PLCCS. (FOR 1/2" ANCHOR BOLTS)



<p>THIS DRAWING, INCLUDING THE INFORMATION IT CONTAINS, IS THE PROPERTY OF YARDNEY INDUSTRIES, INC. AND IS THE PROPERTY OF YARDNEY INDUSTRIES, INC. ANY REPRODUCTION OR TRANSMISSION OF THIS DRAWING WITHOUT THE WRITTEN PERMISSION OF YARDNEY INDUSTRIES, INC. IS STRICTLY PROHIBITED. THE USER OF THIS DRAWING SHALL BE RESPONSIBLE FOR OBTAINING ALL NECESSARY PERMITS AND APPROVALS FROM THE APPROPRIATE AUTHORITIES. YARDNEY INDUSTRIES, INC. SHALL NOT BE RESPONSIBLE FOR ANY DAMAGE, LOSS, OR INJURY RESULTING FROM THE USE OF THIS DRAWING.</p>	
<p>APPROVAL DATE: _____</p> <p>DESIGNED BY: _____</p> <p>CHECKED BY: _____</p> <p>DATE: _____</p>	<p>APPROVAL DATE: _____</p> <p>DESIGNED BY: _____</p> <p>CHECKED BY: _____</p> <p>DATE: _____</p>
<p>YARDNEY INDUSTRIES, INC.</p> <p>11111 W. 111th St.</p> <p>Overland Park, MO 66213</p> <p>TEL: (913) 666-1111</p> <p>FAX: (913) 666-1112</p> <p>WWW: WWW.YARDNEY.COM</p>	<p>Yardney</p> <p>DO NOT SCALE DWG.</p> <p>IL 3036-3A</p> <p>FILTER SYSTEM</p> <p>9500303603</p> <p>REV. B</p>