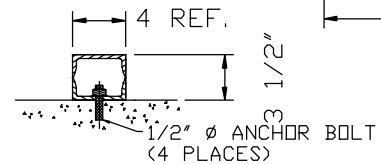
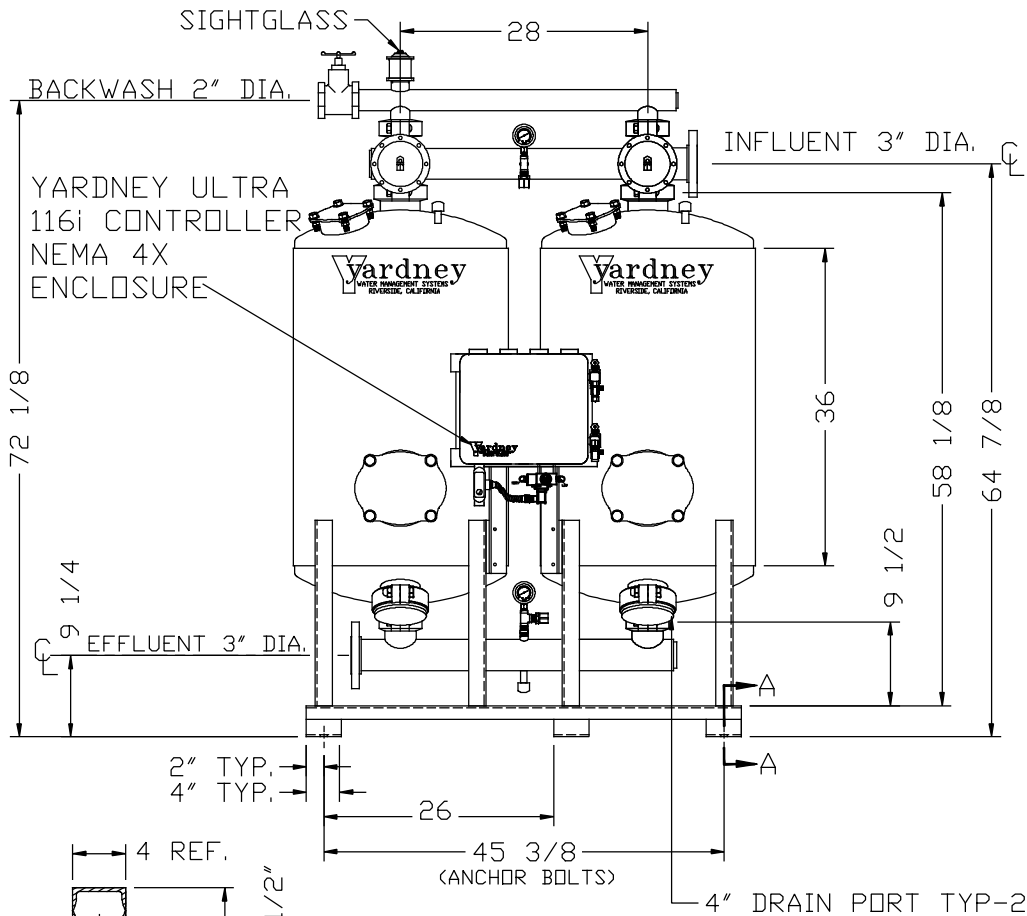
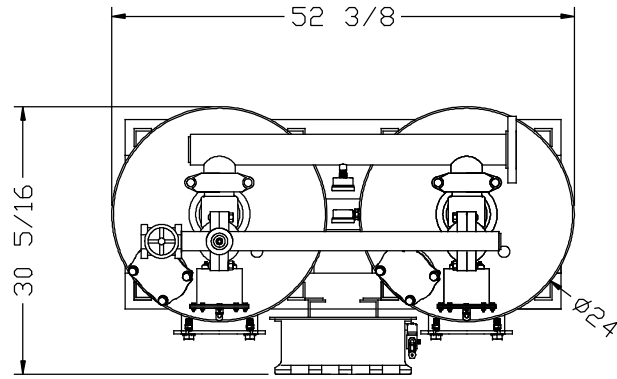


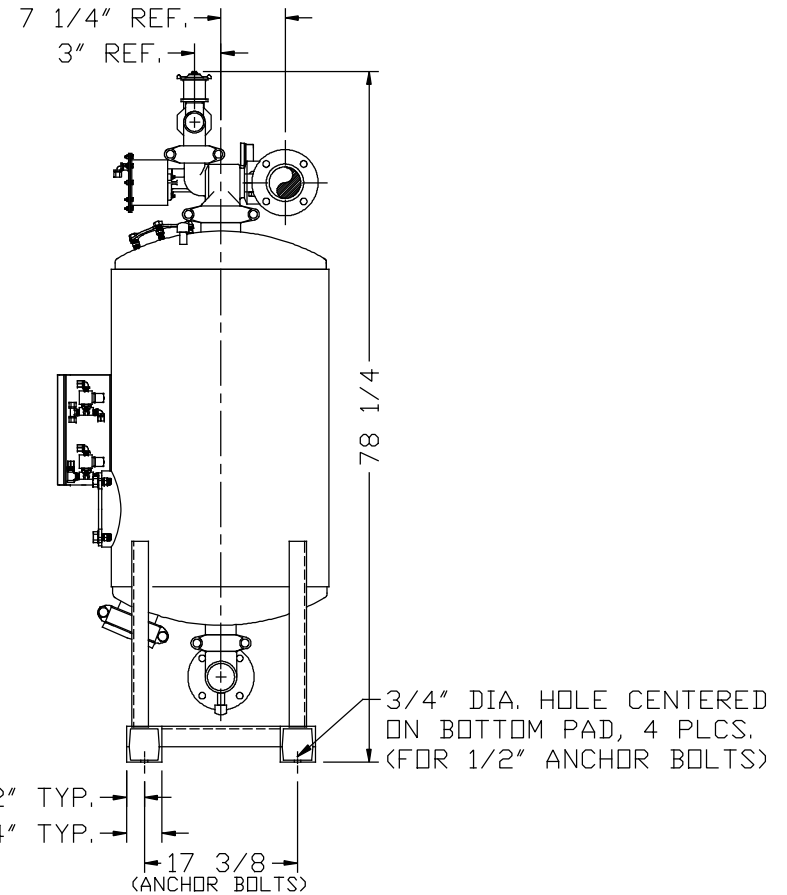
# IL 2436-2A

## NOTES:

1. FLOW RATE DESIGN: 63-95 GPM.  
BACKWASH RATE: 15 GPM/FT<sup>2</sup>.
2. MAXIMUM WORKING PRESSURE: 100 PSI.
3. ELECTRICAL REQUIREMENTS:  
CONTROLLER 120V;  
SOLENOIDS 24VAC; FACTORY WIRED
4. AIR SUPPLY REQUIRED: 2 CFM @ 70 PSIG (MIN.).
5. MEDIA REQUIREMENT PER TANK:  
A. 1/2"x3/4" CRUSHED ROCK: 1.5 CU. FT. ,  
B. 0.47mm CRUSHED SILICA SAND: 7.5 CU. FT. ,
6. WEIGHTS: (APPROX.)  
EQUIPMENT: 690 LBS (LESS MEDIA)  
MEDIA: 1,800 LBS  
OPERATION: 3,000 LBS



SECTION A-A



<small>THIS DRAWING, INCLUDING THE INFORMATION IT CONTAINS, IS CONFIDENTIAL, PROPRIETARY, AND IS THE PROPERTY OF YARDNEY WATER MANAGEMENT, INC. IT IS SUBMITTED ONLY IN CONNECTION WITH THE TRANSACTION TO WHICH IT PERTAINS AND MUST NOT BE USED IN ANY OTHER MANNER DETRIMENTAL TO THE INTERESTS OF YARDNEY WATER MANAGEMENT. THE DRAWING IS NOT TO BE COPIED AND MUST BE RETURNED UPON REQUEST. COPYRIGHT YARDNEY WATER MANAGEMENT SYSTEMS, 1994.</small>			<small>DO NOT SCALE DWG</small>		
			APPROVALS DATE DRAWN BY: DTC 7-18-04		
IL 2436-2A FILTER SYSTEM			SIZE: D DRAWING NO: 9500243602 REV: C		
C	ADDED 4" DRAIN PORT	DTD	11-09	APP	
B	CORRECTED GPM FLOW RATES	DTC	10-05	APP	
A	STANDARDIZED NOTES	DTC	9-05	APP	NONE
SYM	REVISIONS	BY	DATE	APP	USED ON
SCALE: NONE Dwg No: SYSTEMS\IL			SHEET 1 OF 1		