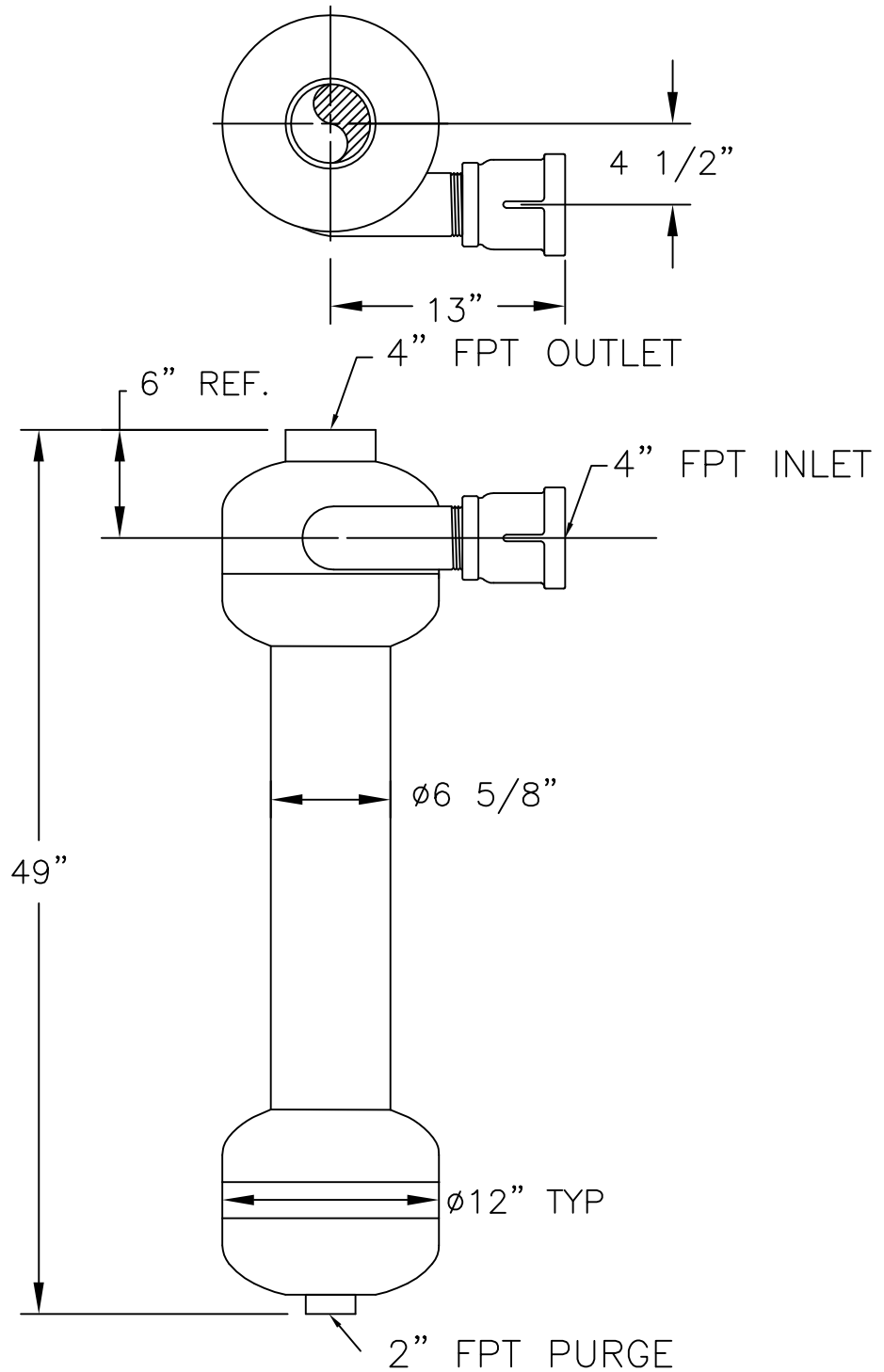


PCS 40V SEPARATOR



FLOW RATE: 190 – 345 GPM.
 PRESSURE RATING: 150 PSI.
 SHIPPING WEIGHT: 120 LBS.

THIS DRAWING, INCLUDING THE INFORMATION IT CONTAINS, IS CONFIDENTIAL, PROPRIETARY AND IS THE PROPERTY OF YARDNEY WATER MANAGEMENT, INC. IT IS SUBMITTED ONLY IN CONNECTION WITH THE TRANSACTION TO WHICH IT PERTAINS AND MUST NOT BE USED IN ANY OTHER MANNER DETRIMENTAL TO THE INTERESTS OF YARDNEY WATER MANAGEMENT. THE DRAWING IS NOT TO BE COPIED AND MUST BE RETURNED UPON REQUEST. COPYRIGHT YARDNEY WATER MANAGEMENT SYSTEMS, 1994				 WATER MANAGEMENT SYSTEMS RIVERSIDE, CALIFORNIA		
		APPROVALS	DATE	<h2 style="margin: 0;">PCS 40V SEPARATOR</h2>		
		DRAWN BY:	JMW/14/03			
		CHECKED BY:		SIZE	DRAWING NO:	REV:
A	ADDED MISSING DIMENSIONS	BY	10-12 APP	—		A
SYM	REVISIONS	BY	DATE APP	ARCHITECTURAL SCALE:	USED ON:	SCALE:
				DWG DIR: \SYSTEM\SEPARATOR\PCS		SHEET 1 OF 1