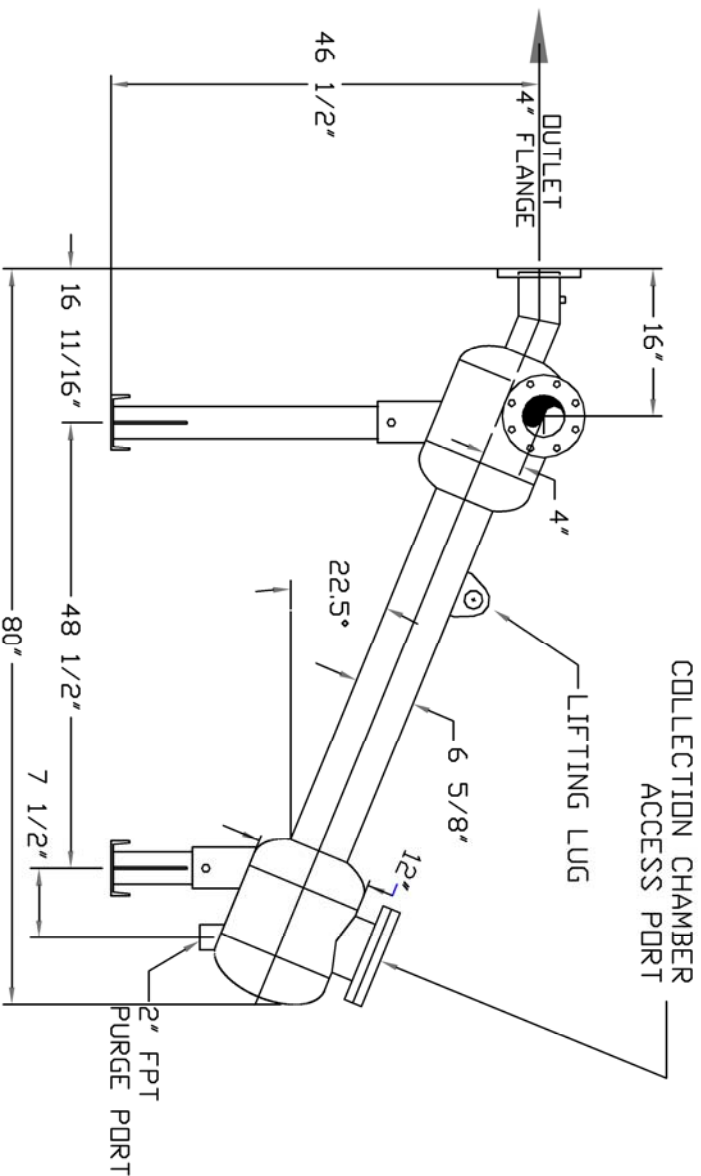
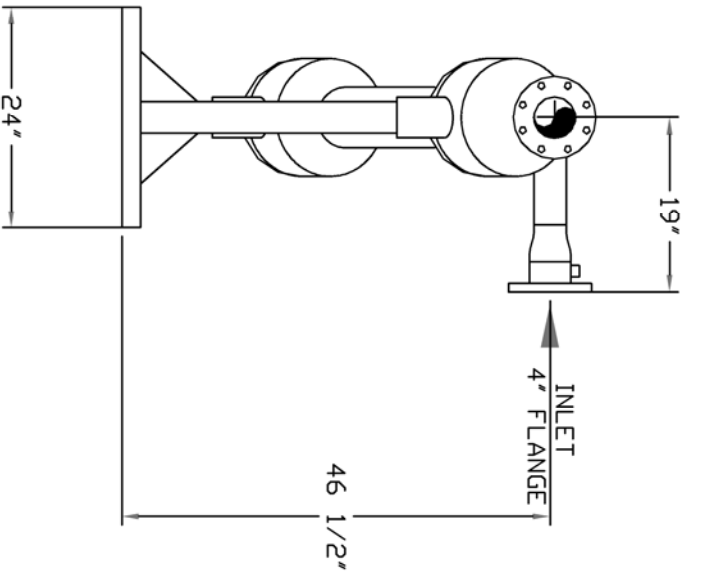


SEPARATOR PCS-40A



FLOW RATE: 200-400 GPM
 MAX PRESSURE: 150 PSI MAX
 MIN BACK PRESSURE: 15 PSI

THIS DRAWING, INCLUDING THE INFORMATION IT CONTAINS, IS CONFIDENTIAL, PROPRIETARY AND IS THE PROPERTY OF YARNEY WATER MANAGEMENT, INC. IT IS SUBMITTED ONLY IN CONNECTION WITH THE TRANSACTION TO WHICH IT PERTAINS AND MUST NOT BE USED IN ANY OTHER MANNER DETRIMENTAL TO THE INTERESTS OF YARNEY WATER MANAGEMENT. THE DRAWING IS NOT TO BE COPIED AND MUST BE RETURNED UPON REQUEST. COPYRIGHT YARNEY WATER MANAGEMENT SYSTEMS, 1993



APPROVALS DATE
 DRAWN BY JMW/1/4/02

SEPARATOR PCS-40A
 ANGLED

B	FLOW RATE WAS INCORRECT	DTD	10-12	APP		CHECKED BY		SIZE	DRAWING NO.	REV.
A	MANUFACTURING CHANGES	DTC	1-06	APP		APPROVED BY		-		B
SYM	REVISIONS	BY	DATE	APP		ARCHITECTURAL SCALE		SCALE	DWG DIR \SEPARATOR\PCS	SHEET 1 OF 1