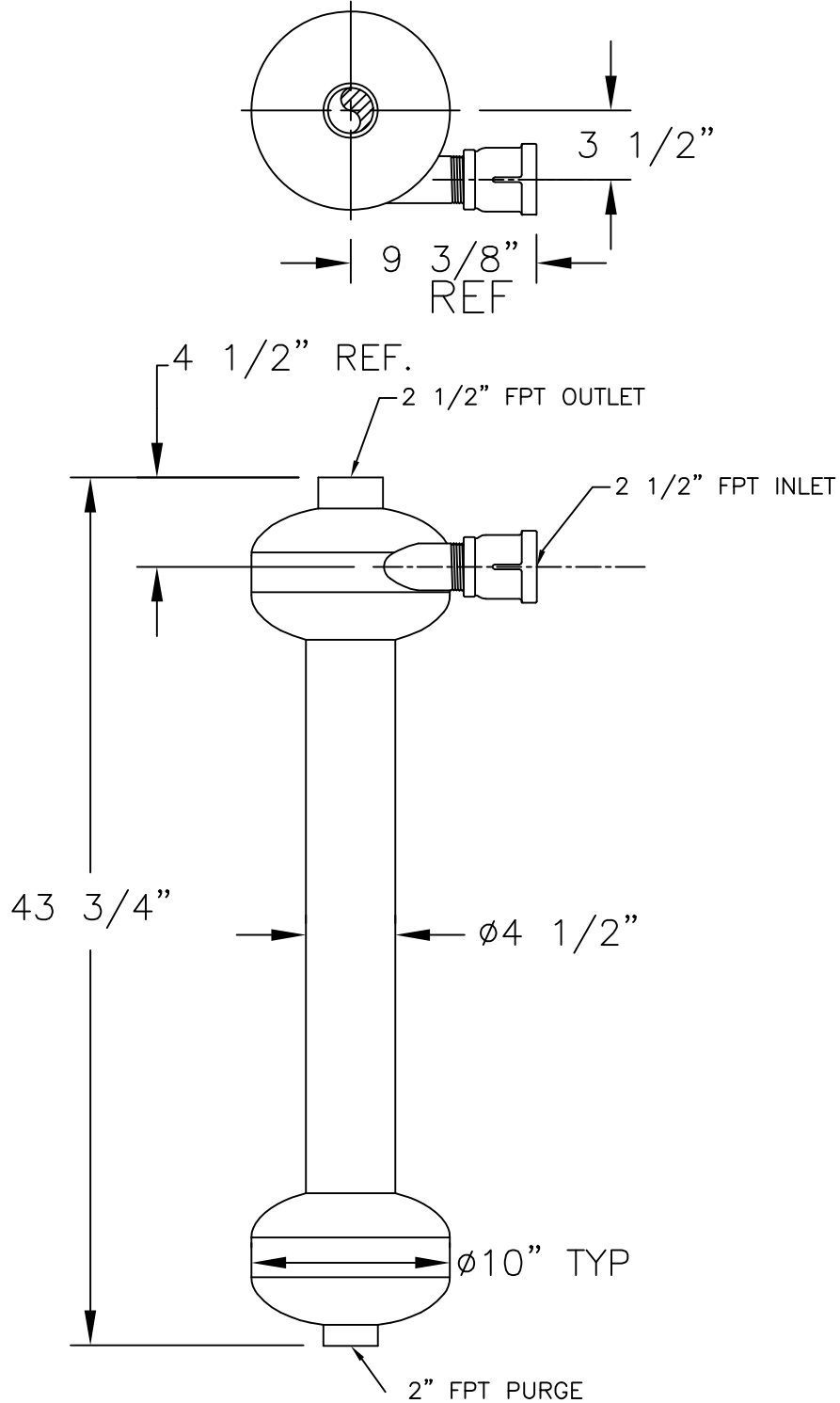



PCS 25V SEPARATOR



FLOW RATE: 100 – 180 GPM.
 PRESSURE RATING: 150 PSI.
 SHIPPING WEIGHT: 55 LBS.

THIS DRAWING, INCLUDING THE INFORMATION IT CONTAINS, IS CONFIDENTIAL, PROPRIETARY AND IS THE PROPERTY OF YARDNEY WATER MANAGEMENT, INC. IT IS SUBMITTED ONLY IN CONNECTION WITH THE TRANSACTION TO WHICH IT PERTAINS AND MUST NOT BE USED IN ANY OTHER MANNER DETRIMENTAL TO THE INTERESTS OF YARDNEY WATER MANAGEMENT. THE DRAWING IS NOT TO BE COPIED AND MUST BE RETURNED UPON REQUEST. COPYRIGHT YARDNEY WATER MANAGEMENT SYSTEMS, 1994				 WATER MANAGEMENT SYSTEMS RIVERSIDE, CALIFORNIA		APPROVALS DATE DRAWN BY: JMW/14/03		PCS 25V SEPARATOR	
						CHECKED BY:		SIZE DRAWING NO:	
B	ADDED MISSING DIMENSIONS	DTO	10-12	APP	APPROVED BY:	ARCHITECTURAL SCALE:		SCALE: DWG DIR: \SYSTEM\SEPARATOR\PCS SHEET 1 OF 1	
A	WAS 34-1/2 UPDATED TO LITURATURE DIM	DTC	3-04	APP	USED ON:				
SYN		REVISIONS		BY	DATE	APP			