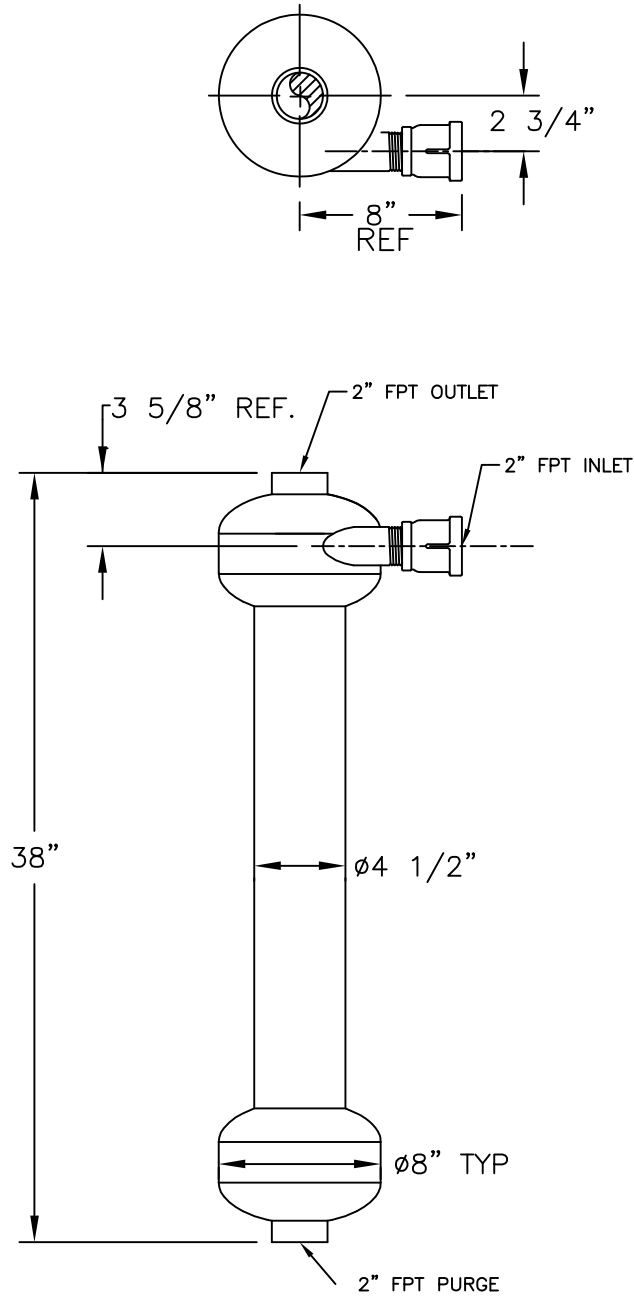



PCS 20V SEPARATOR



FLOW RATE: 63 – 120 GPM.
 PRESSURE RATING: 150 PSI.
 SHIPPING WEIGHT: 44 LBS.

THIS DRAWING, INCLUDING THE INFORMATION IT CONTAINS, IS CONFIDENTIAL, PROPRIETARY AND IS THE PROPERTY OF YARDNEY WATER MANAGEMENT, INC. IT IS SUBMITTED ONLY IN CONNECTION WITH THE TRANSACTION TO WHICH IT PERTAINS AND MUST NOT BE USED IN ANY OTHER MANNER DETRIMENTAL TO THE INTERESTS OF YARDNEY WATER MANAGEMENT. THE DRAWING IS NOT TO BE COPIED AND MUST BE RETURNED UPON REQUEST. COPYRIGHT YARDNEY WATER MANAGEMENT SYSTEMS, 1994				 WATER MANAGEMENT SYSTEMS RIVERSIDE, CALIFORNIA		APPROVALS DATE			
						DRAWN BY: JMW/14/03		PCS 20V SEPARATOR	
CHECKED BY:				APPROVED BY:		SIZE DRAWING NO:		REV: B	
B ADDED MISSING DIMENSIONS DTC 10-12 APP				A WAS 38" UPDATED TO LITURATURE DIM. DTC 3-04 APP		ARCHITECTURAL SCALE:		USED ON:	
SYM REVISIONS BY DATE APP				SCALE:		DWG DIR: \SYSTEM\SEPARATOR\PCS SHEET 1 OF 1			