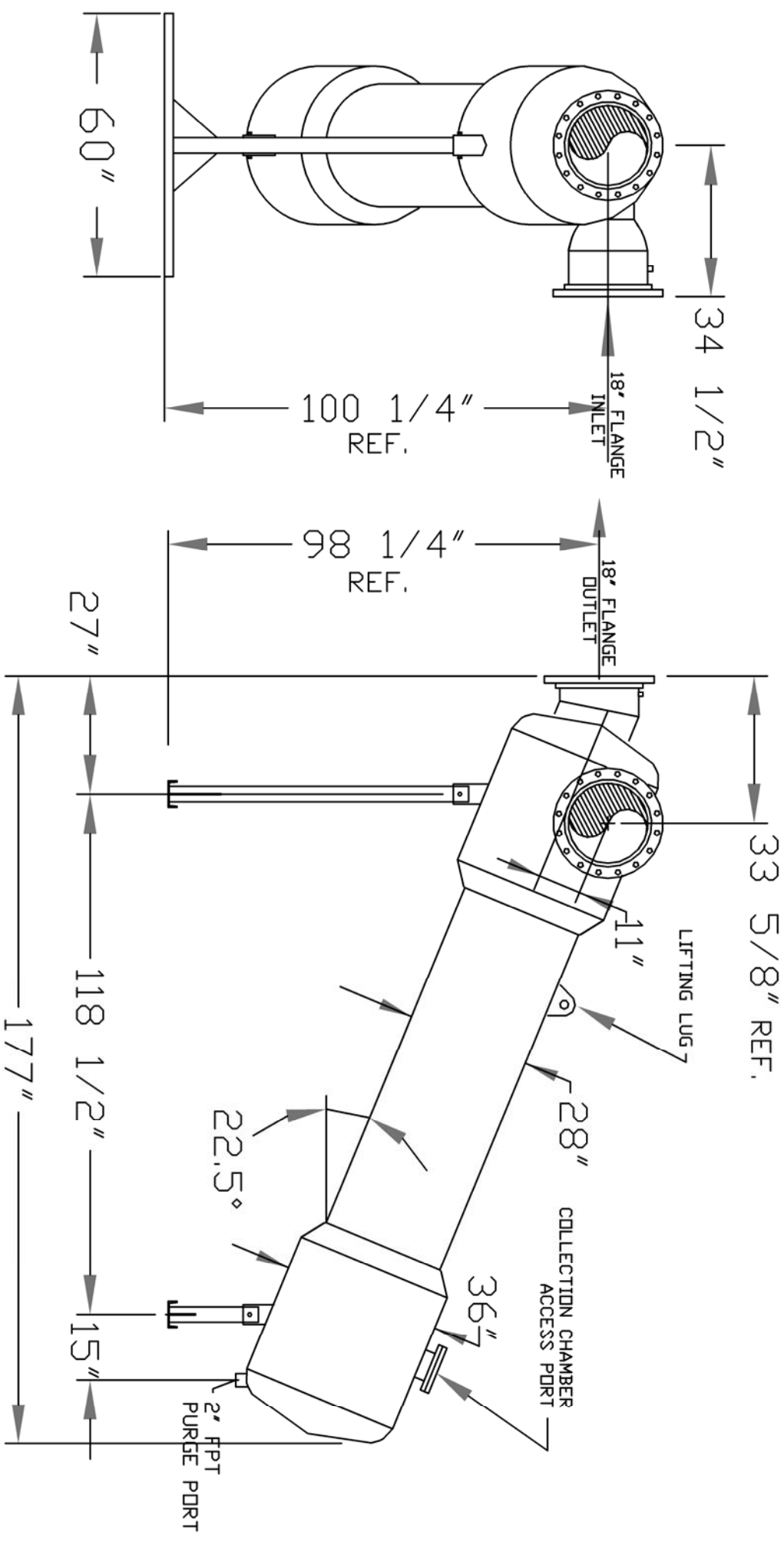


SEPARATOR PCS-180A



FLOW RATE: 5100-8300 GPM
 MAX PRESSURE: 150 PSI MAX
 MIN BACK PRESSURE: 15 PSI

THIS DRAWING, INCLUDING THE INFORMATION IT CONTAINS, IS CONFIDENTIAL, PROPRIETARY AND IS THE PROPERTY OF YARNEY WATER MANAGEMENT, INC. IT IS SUBMITTED ONLY IN CONNECTION WITH THE TRANSACTIONS FOR WHICH IT REMAINS AND MUST NOT BE USED FOR ANY OTHER PURPOSES WITHOUT THE WRITTEN CONSENT OF YARNEY WATER MANAGEMENT. THE DRAWING IS NOT TO BE COPIED AND MUST BE RETURNED UPON REQUEST. COPYRIGHT YARNEY WATER MANAGEMENT SYSTEMS, 1993



APPROVALS: DATE
 DRAWN BY: JTC
 CHECKED BY: JTC
 SCALE: AS SHOWN
 SIZE: DRAWING NO. SEPARATOR PCS-180A ANGLED

SYM	REVISIONS	BY	DATE	APP	SCALE	SIZE	DRAWING NO.	REV
							SEPARATORS\PCS	1 of 1