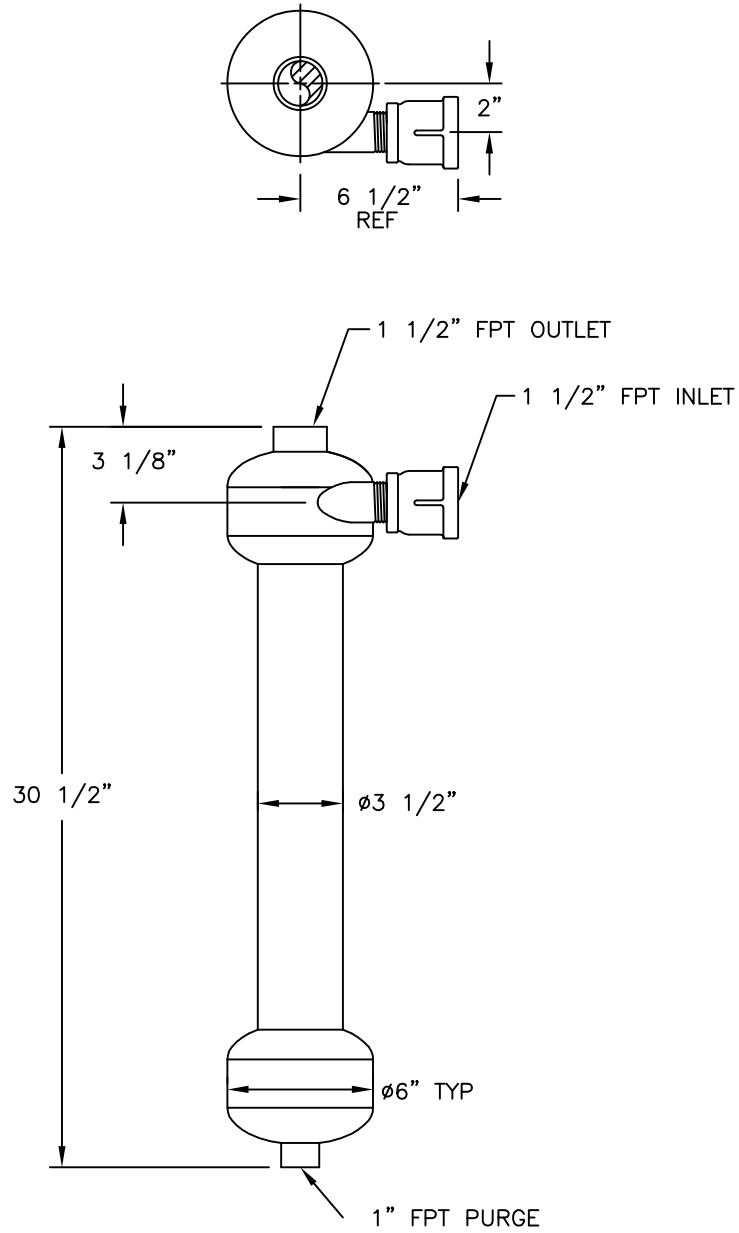


# PCS 15V SEPARATOR



FLOW RATE: 38 – 79 GPM.  
 PRESSURE RATING: 150 PSI.  
 SHIPPING WEIGHT: 26 LBS.

THIS DRAWING, INCLUDING THE INFORMATION IT CONTAINS, IS CONFIDENTIAL, PROPRIETARY AND IS THE PROPERTY OF YARDNEY WATER MANAGEMENT, INC. IT IS SUBMITTED ONLY IN CONNECTION WITH THE TRANSACTION TO WHICH IT PERTAINS AND MUST NOT BE USED IN ANY OTHER MANNER DETRIMENTAL TO THE INTERESTS OF YARDNEY WATER MANAGEMENT. THE DRAWING IS NOT TO BE COPIED AND MUST BE RETURNED UPON REQUEST. COPYRIGHT YARDNEY WATER MANAGEMENT SYSTEMS, 1994				<b>Yardney</b> WATER MANAGEMENT SYSTEMS RIVERSIDE, CALIFORNIA				
				APPROVALS DRAWN BY: JMW/14/03 CHECKED BY:	DATE PCS 15V SEPARATOR	SIZE DRAWING NO:		REV: A
A SYM	ADDED MISSING DIMENSIONS REVISIONS	DTO BY	10-12 DATE	APP APP	ARCHITECTURAL SCALE: USED ON:	SCALE:	D:\DWG DIR\SYSTEM\SEPARATOR\PCS	SHEET 1 OF 1