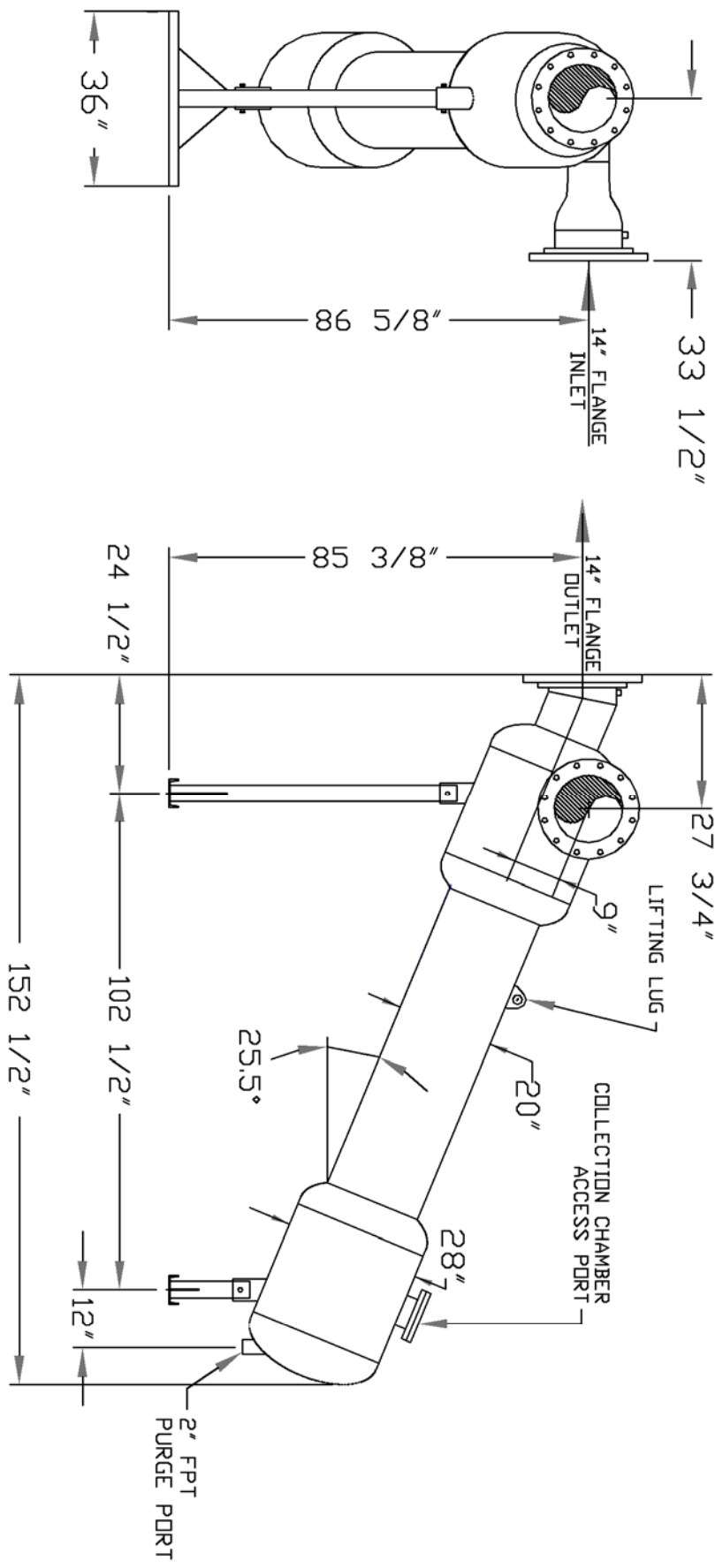


SEPARATOR PCS-140A



FLOW RATE: 2975-5000 GPM
 MAX PRESSURE: 150 PSI MAX
 MIN BACK PRESSURE: 15 PSI

THIS DRAWING, INCLUDING THE INFORMATION IT CONTAINS, IS CONFIDENTIAL, PROPRIETARY AND IS THE PROPERTY OF YARDNEY WATER MANAGEMENT, INC. IT IS SUBMITTED ONLY IN CONNECTION WITH THE TRANSACTION TO WHICH IT PERTAINS AND MUST NOT BE REPRODUCED OR TRANSMITTED IN ANY MANNER WITHOUT THE WRITTEN CONSENT OF YARDNEY WATER MANAGEMENT. PERMISSION IS NOT TO BE GRANTED AND MUST BE RETURNED UPON REQUEST. COPYRIGHT YARDNEY WATER MANAGEMENT SYSTEMS, 1993



APPROVALS DATE
 DRAWN BY DTG 11-09-12
 CHECKED BY
 APPROVED BY

SEPARATOR PCS-140A
 ANGLED

REV	DATE	BY	APP	REVISIONS
A	11-09-12	DTG	APP	HEIGHT LOCATION OF INLET WAS 85-5/8"
SCALE: 1" = 1'				