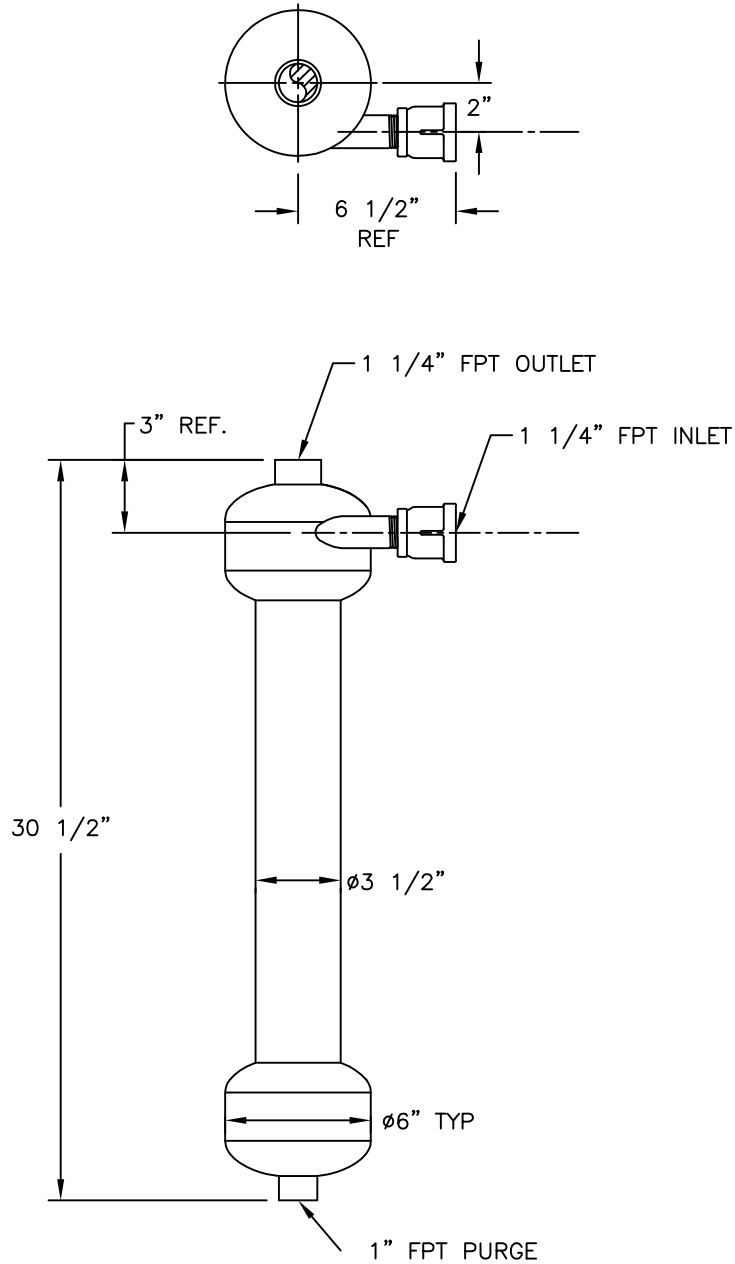



PCS 12V SEPARATOR



FLOW RATE: 26 – 52 GPM.
 PRESSURE RATING: 150 PSI.
 SHIPPING WEIGHT: 26 LBS.

THIS DRAWING, INCLUDING THE INFORMATION IT CONTAINS, IS CONFIDENTIAL, PROPRIETARY AND IS THE PROPERTY OF YARDNEY WATER MANAGEMENT, INC. IT IS SUBMITTED ONLY IN CONNECTION WITH THE TRANSACTION TO WHICH IT PERTAINS AND MUST NOT BE USED IN ANY OTHER MANNER DETRIMENTAL TO THE INTERESTS OF YARDNEY WATER MANAGEMENT. THE DRAWING IS NOT TO BE COPIED AND MUST BE RETURNED UPON REQUEST. COPYRIGHT YARDNEY WATER MANAGEMENT SYSTEMS, 1994				 WATER MANAGEMENT SYSTEMS RIVERSIDE, CALIFORNIA		APPROVALS DATE DRAWN BY: JMW/14/03		PCS 12V SEPARATOR	
						CHECKED BY:		SIZE DRAWING NO:	
A ADDED MISSING DIMENSIONS		DTO 10-12 APP		ARCHITECTURAL SCALE:		USED ON:		SCALE:	
SYM REVISIONS		BY DATE APP		DWG DIR: \SYSTEM\SEPARATOR\PCS		SHEET 1 OF 1			