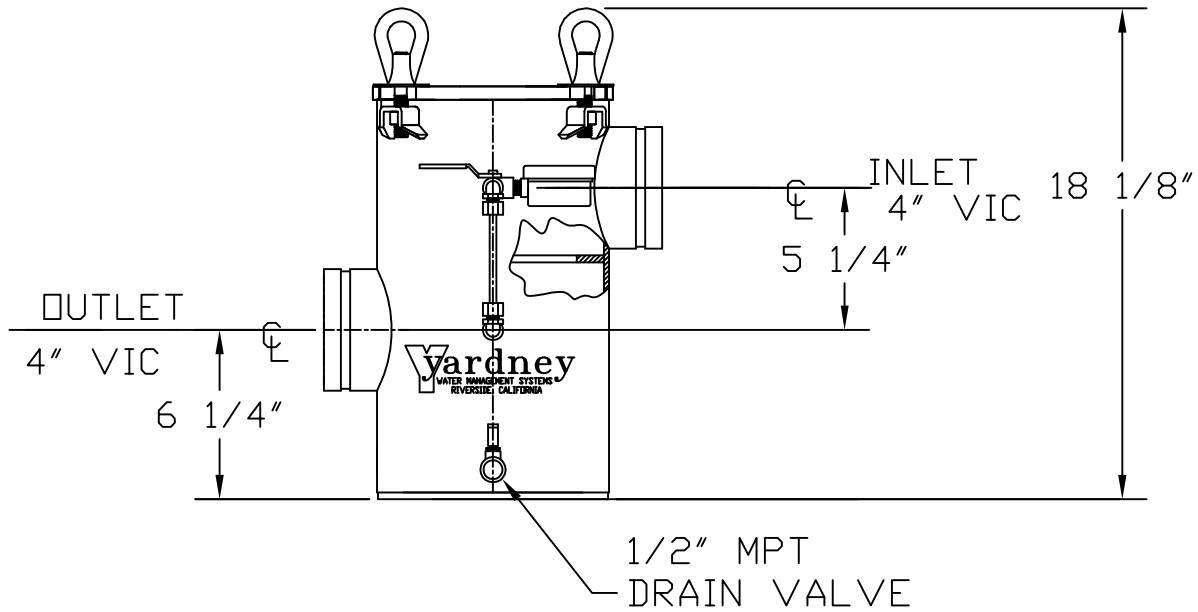
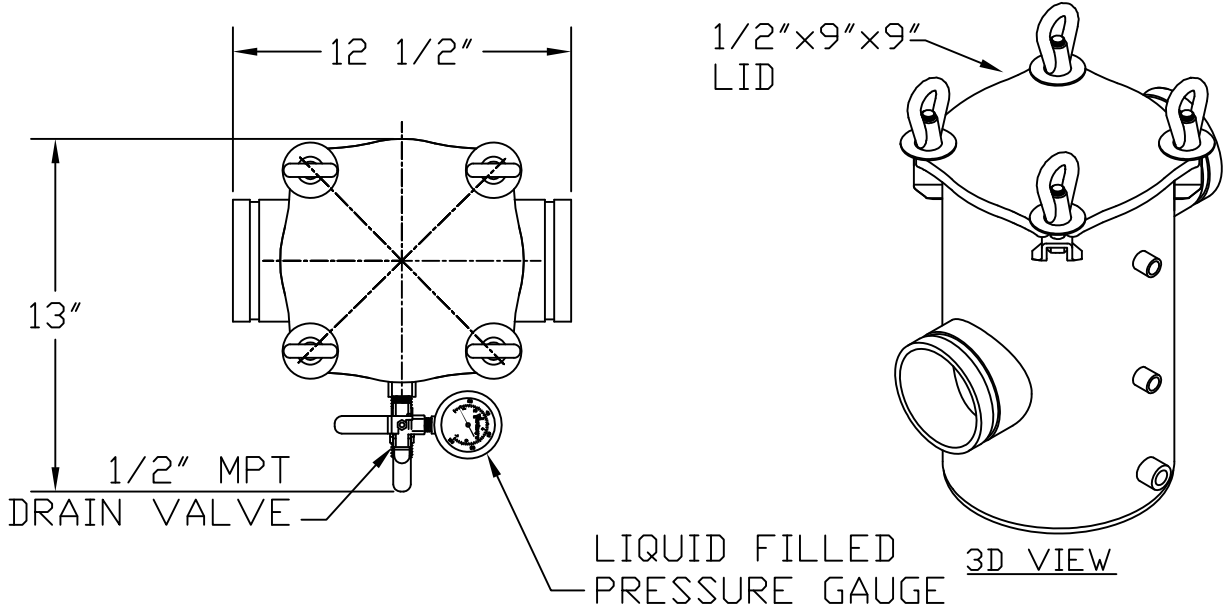


# SB-4 BASKET STRAINER



- NOTES: (UNLESS OTHERWISE STATED)
1. EPOXY COATED CARBON STEEL HOUSING.
  2. POLYPROPYLENE SCREEN IN STAINLESS STEEL BASKET

MODEL	MAX FLOW GPM	MAX PRESSURE PSI	THIS DRAWING, INCLUDING THE INFORMATION IT CONTAINS, IS CONFIDENTIAL, PROPRIETARY, AND IS THE PROPERTY OF YARDNEY WATER MANAGEMENT, INC. IT IS SUBMITTED ONLY IN CONNECTION WITH THE TRANSACTION TO WHICH IT PERTAINS AND MUST NOT BE USED IN ANY OTHER MANNER DETRIMENTAL TO THE INTERESTS OF YARDNEY WATER MANAGEMENT. THE DRAWING IS NOT TO BE COPIED AND MUST BE RETURNED UPON REQUEST. COPYRIGHT YARDNEY WATER MANAGEMENT SYSTEMS, 1994.	CUSTOMER:	<b>BASKET STRAINER</b>			
SB 4	355	150		USED ON:				
<b>Cartridge Mesh Options:</b> <u>40</u> , <u>80</u> , <u>100</u> , <u>140</u> , <u>200</u>				DRAWN BY: DTD				
				DATE: 2004				
			C	ADDED GAGE, 3-WAY & DRAIN VALVE	DTD	11-12	DRAWING NO: 9125000104	REV: C
			B	REPLACED 1/2" NUTS w/1/2" WELD TABS	DTD	8-12	LOCATION: SYSTEMS_SB_GENERIC	SHEET 1 OF 1
			A	1/2" HALF CPLG MOVED TO FRONT	DTD	7-10		
			NO.	REVISION	BY	DATE		