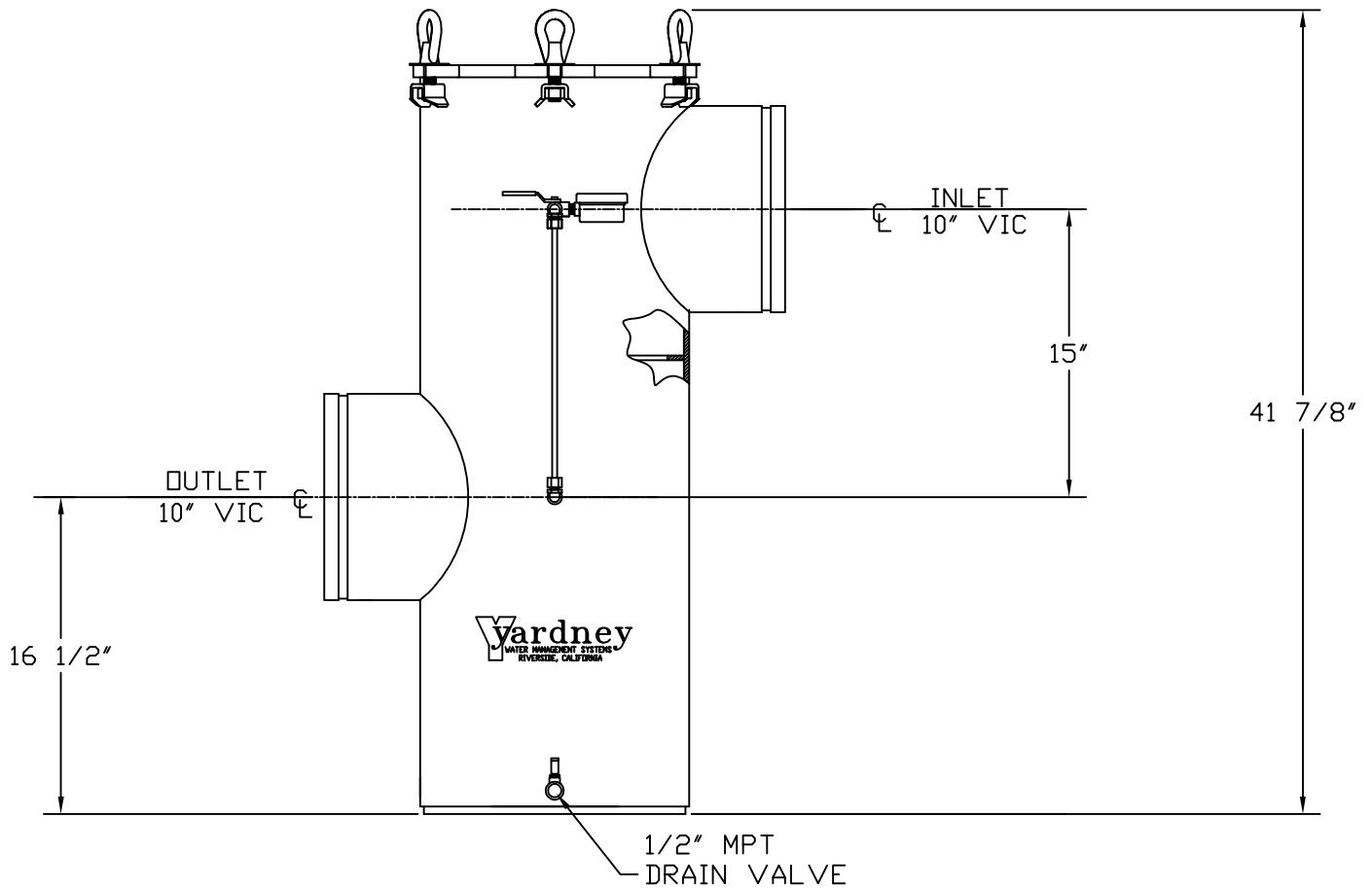
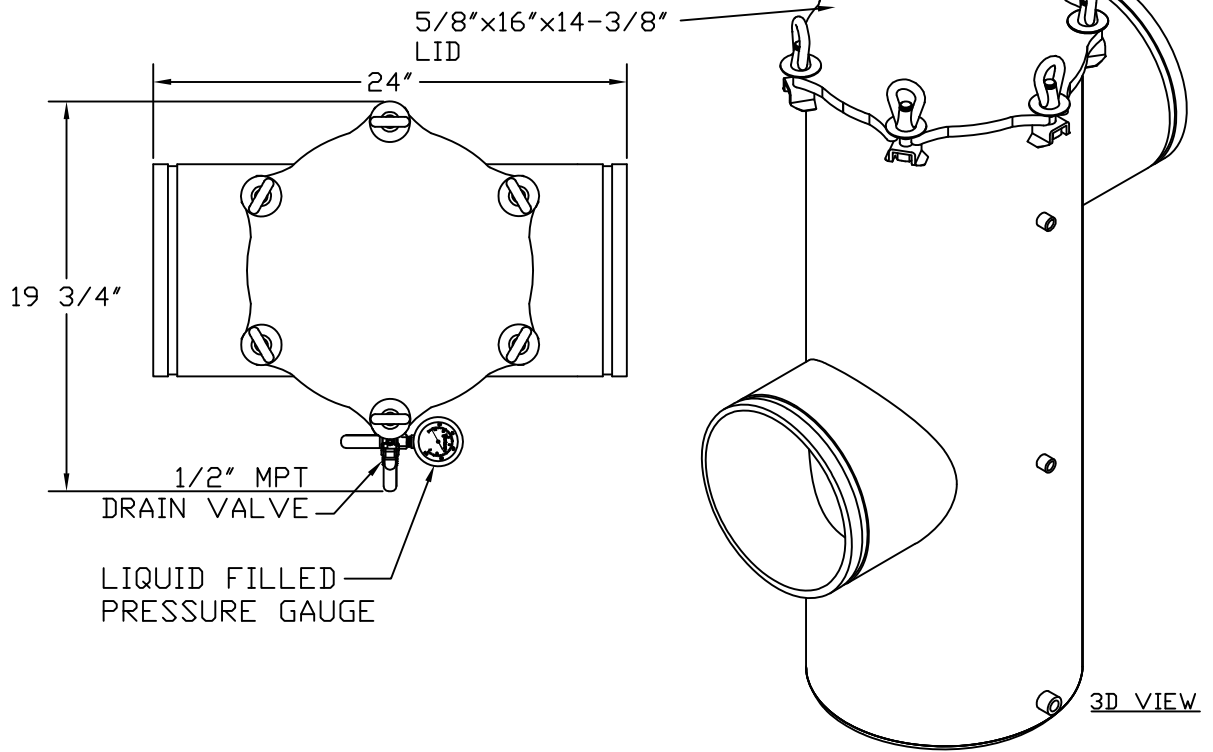


SB-10 BASKET STRAINER



NOTES: (UNLESS OTHERWISE STATED)
 1. EPOXY COATED CARBON STEEL HOUSING.
 2. POLYPROPYLENE SCREEN IN STAINLESS STEEL BASKET

MODEL	MAX FLOW	MAX PRESSURE
	GPM	PSI
SB 10	1875	80

Cartridge Mesh Options:
40, 80, 100, 140, 150, 200

THIS DRAWING, INCLUDING THE INFORMATION IT CONTAINS, IS CONFIDENTIAL, PROPRIETARY, AND IS THE PROPERTY OF YARDNEY WATER MANAGEMENT, INC. IT IS SUBMITTED ONLY IN CONNECTION WITH THE TRANSACTION TO WHICH IT PERTAINS AND MUST NOT BE USED IN ANY OTHER MANNER DETRIMENTAL TO THE INTERESTS OF YARDNEY WATER MANAGEMENT. THE DRAWING IS NOT TO BE COPIED AND MUST BE RETURNED UPON REQUEST. COPYRIGHT YARDNEY WATER MANAGEMENT SYSTEMS, 1994.			CUSTOMER	
C	ADDED GAGE, 3-WAY & DRAIN VALVE	DTD	11-12	
B	REPLACED 5/8" NUTS w/5/8" WELD TABS	DTD	8-12	DRAWING NO: 9125000110
A	1/2" HALF CPLG MOVED TO FRONT	DTD	7-10	DATE: 2004
NO.	REVISION	BY	DATE	LOCATION: SYSTEMS_SB_GENERIC
				REV: C
				SHEET 1 OF 1