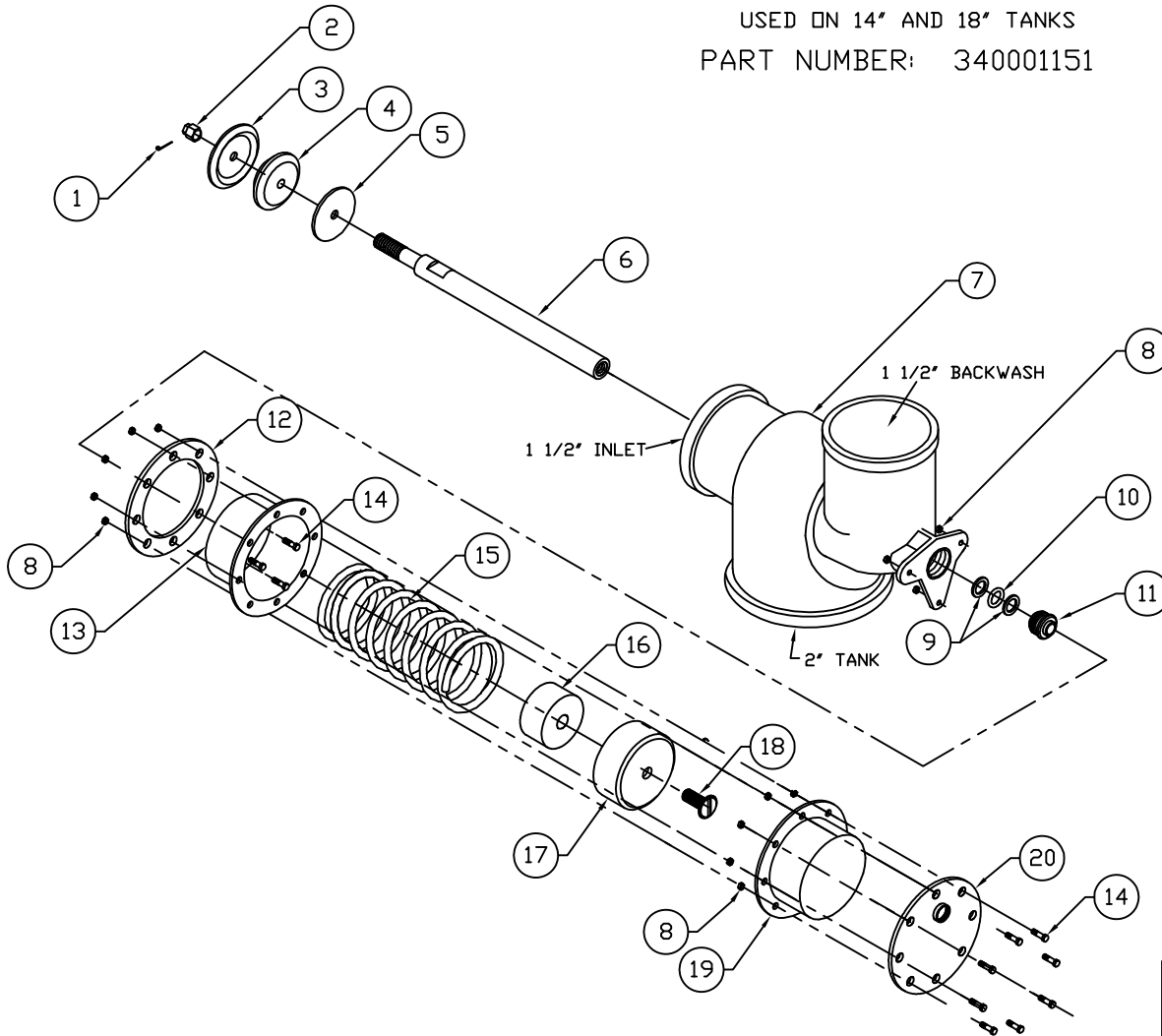


1 1/2" AUTOMATIC CAST VALVE

1 1/2" D SERIES: 3-13-TO PRESENT
USED ON 14" AND 18" TANKS

PART NUMBER: 340001151



LIST OF COMPONENTS

DRAWING NO. -

ITEM	QTY.	PART NO.	DESCRIPTION	LENGTH IN.	WT.
1	1	400076050	COTTER PIN 3/64" X 1/2" SS		
2	1	400066025	NUT CASTLE 1/4"-20 SS		
3	1	140090150	SEAL RETAINER LOWER 1-1/2 304SS		
4	1	136070150	VALVE URETHANE SEAL 1-1/2"		
5	1	400075075	WASHER FENDER SS 1/16"x1" ODx1/4" ID		
6	1	136005025	SHAFT 416SS 3/8" x 5-5/8"		
7	1	250030115	1 1/2" CAST VALVE BODY		
8	11	400063028	NUT HEX 1/4"-28 ZP		
9	2	141090037	RING BACKUP 8-110 3/8"		
10	1	141000037	O-RING 2-110 3/8" X 9/16"		
11	1	136007375	O-RING RETAIN 3/4 HEX BRASS		
12	1	110011500	BD 1-1/2" ACTUATOR CAN FLANGE 304SS		
13	1	250021200	CAN LOWER ACTUATOR 1-1/2" FC 100%		
14	11	400022510	BOLT HEX 1/4"-28 X 1" ZP		
15	1	136060039	VALVE SPRING 1-1/2" 1" x 2.75"L		
16	1	136010125	VALVE SHAFT BUSHING		
17	1	250021300	PISTON CUP 1-1/2" ZP 100%		
18	1	400047315	BOLT SLOTTED 1/4-20x1/2" 18/8 SS		
19	1	136090251	VALVE DIAPHRAGM 2-1/2" w/O HOLE		
20	1	250024202	CAN ACTUATOR LID 1 1/2 D		

THIS DRAWING, INCLUDING THE INFORMATION IT CONTAINS, IS CONFIDENTIAL, PROPRIETARY, AND IS THE PROPERTY OF YARDNEY WATER MANAGEMENT, INC. IT IS SUBMITTED ONLY IN CONNECTION WITH THE TRANSACTION TO WHICH IT PERTAINS AND MUST NOT BE USED IN ANY OTHER MANNER DETRIMENTAL TO THE INTERESTS OF YARDNEY WATER MANAGEMENT. THE DRAWING IS NOT TO BE COPIED AND MUST BE RETURNED UPON REQUEST. COPYRIGHT YARDNEY WATER MANAGEMENT SYSTEMS, 1990.

DO NOT SCALE DWG



APPROVALS DATE
DRAWN BY: DTD 12-17-12
CHECKED BY:

1 1/2" AUTOMATIC CAST VALVE
D SERIES

B	ITEM #15 REDRAWN SPRING TO #.095	DTD	5-13	APP
A	ITEM #7: REPLACED 250030115 w/250030114	DTD	3-13	APP

APPROVED BY:
ARCHITECTURAL SCALE: NONE
USED ON:

SIZE DRAWING NO: 340001151
D
REV: B

SYM REVISIONS BY DATE APP

SCALE: NONE DWG NO: 340001151 SHEET 1 OF 1